

# MIPRO®

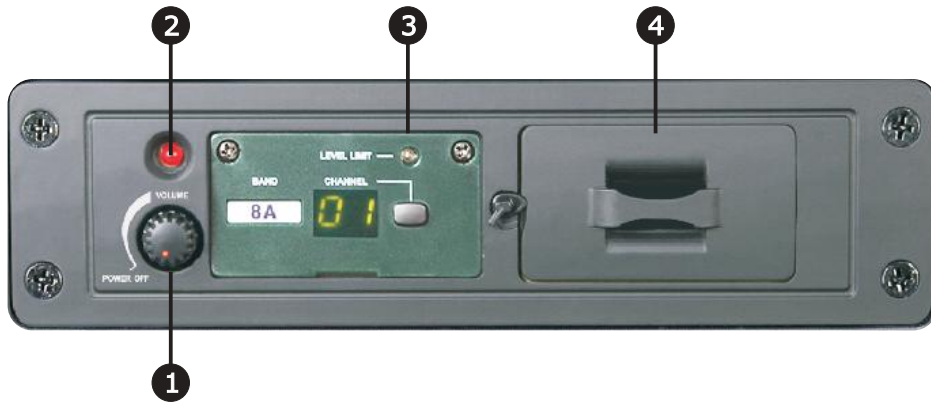
## User Guide

### MTM-90 / MTM-92 Wireless Interlinking Transmitter



16 switchable UHF channels. Numeric LED displays working channel clearly. The modularized design enable easy installation, operation and maintenance.

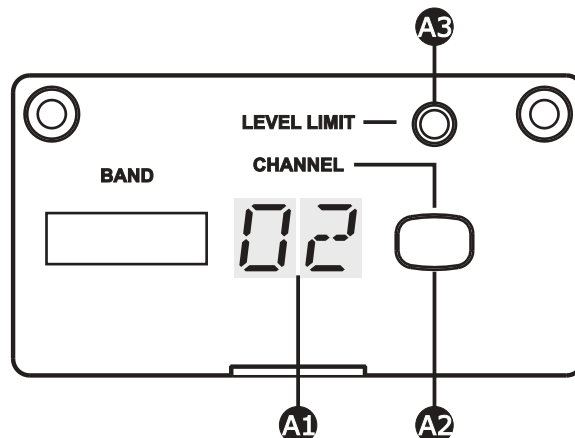
## Parts Name and Functions



- ❶ Power Switch/Volume Knob
- ❷ Power Indicator
- ❸ Wireless Interlinking Transmitter
- ❹ Bodypack Transmitter Storage

## Parts Name and Functions of Wireless Interlinking Transmitter

- Ⓐ1 Channel LED Display
- Ⓐ2 Channel-Selecting Button
- Ⓐ3 Volume Limit Indicator



### How to Set up Wireless Interlinking Transmitter

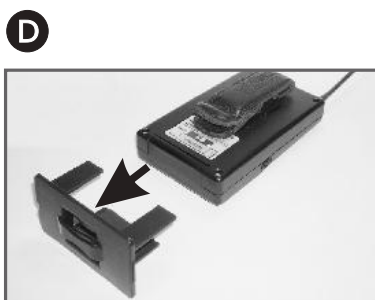
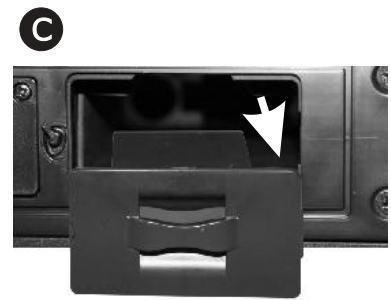
1. Turn the transmitter power/volume switch to ON by rotating the knob clockwise. When ON, the power indicator and Channel LED Display will be lit. Rotate volume knob clockwise to adjust the desired volume. Rotate same volume knob counterclockwise to power OFF the transmitter.
2. To select channel one a time:  
Press and hold the Channel-Selecting button for around 2 seconds and release when channel LED display starts flashing. Press and release button once to move to the next available channel. If button is not pressed again when Channel LED flashes 6 times, the channel appearing in Channel Display is automatically saved and set.
3. To select channel continuously:  
Press and hold the Channel-Selecting button for around 2 seconds until channel LED display starts flashing. Press and hold same button will automatically advance channel continuously. There are a total of 16 preset channels. If button is not pressed again when Channel LED flashes 6 times, the channel appearing in Channel Display is automatically saved and set.
4. Press and hold the Channel-Selecting button for around 2 seconds until channel LED display starts flashing. If button is not pressed again when Channel LED flashes 6 times, the channel appearing in Channel Display is automatically saved and set.
5. The volume limitation Indicator won't be lit under the normal audio volume. If the audio input exceeds the set limitations, volume restriction control will activate and the indicator will lit.

#### Note

Refer to actual product in the event of product description discrepancy.

## How to store Bodypack transmitter

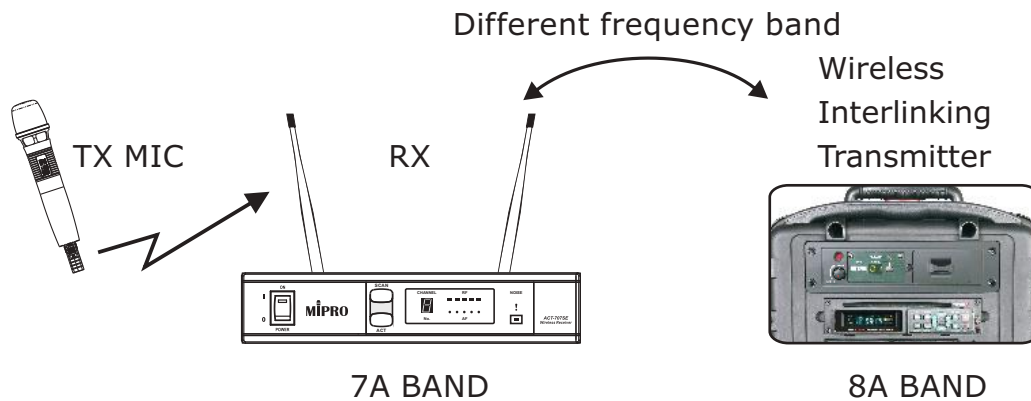
1. Each storage holds 1 Bodypack transmitter.
2. Procedures:
  - A. Before opening the storage.
  - B. Rotate the switch clockwise on the left to release the storage panel.
  - C. Move the storage panel slightly left then pull it out.
  - D. Insert the upside down bodypack transmitter towards the back panel of storage panel with antenna pointing to the front.
  - E. Push the bodypack transmitter gently into the storage panel. Be careful with antenna placement.
  - F. Rotate the switch counterclockwise to close the storage.
  - G. Ascertain storage is not loose but rather a snug fit.



## Operation and Cautions

### Select the MT-90/MT-92 module with proper frequency band

1. The MT-90A/MT-92A transmitter amplifier must include the MT-90/MT-92 transmitter module for operation, and the frequency band should be consistent with the selected receiver. The output power of the MT-90A/MT-92A is several times larger than the power of normal wireless microphone; as a result, it's needed to check if the MT-90A/MT-92A will cause any interference to other wireless microphone systems.
2. When interference occurs, change the channel of MT-90/MT-92 module or use a new MT-90/MT-92 module with different frequency band. The MT-90A/MT-92A can properly operate with the MT-90/MT-92 transmitter module in UHF frequency band from 600 MHz to 960 MHz.

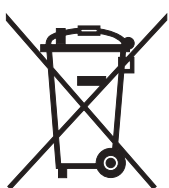


## FC & IC - ID

THIS DEVICE COMPLIES WITH PART74 OF THE FCC RULES AND RSS-123 ISSUE2 OF CANADA. OPERATION IS SUBJECT TO THE FOLLOWING TWO CONDITIONS:

- (1) This device may not cause interference.
- (2) This device must accept any interference, including interference that may cause undesired operation of the device. This equipment complies with FCC RF radiation exposure limits set forth for an uncontrolled environment.

**Disposal** Dispose of any unusable devices or batteries responsibly and in accordance with any applicable regulations.



Disposing of used batteries with domestic waste is to be avoided!

Batteries / NiCad cells often contain heavy metals such as cadmium(Cd), mercury(Hg) and lead(Pb) that makes them unsuitable for disposal with domestic waste. You may return spent batteries/ accumulators free of charge to recycling centres or anywhere else batteries/accumulators are sold.

2005-08-13

By doing so, you contribute to the conservation of our environment!

**MIPRO**<sup>®</sup>  
MICROPHONE PROFESSIONALS

**MIPRO Electronics Co., Ltd**

Headquarters : 814 Pei-Kang Road, Chiayi, 60096, Taiwan

Tel : +886.5.238.0809

[www.mipro.com.tw](http://www.mipro.com.tw)

Fax : +886.5.238.0803

[mipro@mipro.com.tw](mailto:mipro@mipro.com.tw)



All rights reserved. Do not copy or forward without prior approvals MIPRO.  
Specifications and design subject to change without notice. MN 014/03



2CE300B