

L 2015 Charger

FEATURES

- Convenient quick-charging
- Charging unit recognizes a fully charged battery and automatically switches to trickle charging
- Temperature and voltage are monitored for increased safety
- Bodypack transmitters/receivers are automatically switched off when they are inserted into the L 2015
- Long battery life due to overcharge protection and regeneration of exhausted batteries
- Automatic fault detection
- Several charging units can be daisy-chained and powered by one power supply unit

The L 2015 quick-charging unit automatically recharges two Sennheiser BA 2015 batteries. The batteries are either inserted directly into the charger or remain in their bodypack transmitters/receivers of the System 2015, the evolution wireless G3 100, 300 and 500 Series, Tourguide SK 2020-D and EK 1038.



ARCHITECT'S SPECIFICATIONS

The device shall be a dual well charging base unit for use in charging compatible rechargeable Nickel-Metal Hydride (NiMH) batteries, including the Sennheiser model BA 2015; either by being directly inserted in the charging base or while the rechargeable battery is installed in a compatible bodypack transmitter or receiver case. The charging base unit shall provide a self-monitoring circuit to recognize when a rechargeable battery is fully charged and shall automatically switch to a trickle charge mode to prevent battery damage and increase battery life expectancy. Temperature and voltage monitoring shall also be provided to decrease potential for battery damage. Automatic battery fault detection shall be provided. Compatible transmitters and receivers containing rechargeable batteries shall be automatically switched off when inserted into the charging base.

Continued on page 2

TECHNICAL DATA

Input voltage range.....	10 – 20 V DC
Current consumption	400 – 750 mA
Output voltage	2x 2.9 V
Power supply.....	2x 700 mA
Cells	NiMH, 2x 1.2V (BA 2015)
Charging time	approx. 2.5 h
Operating temperature	0.....40 °C
Dimensions	approx. 145 x 80 x 110 mm
Weight.....	approx. 310 g

DELIVERY INCLUDES

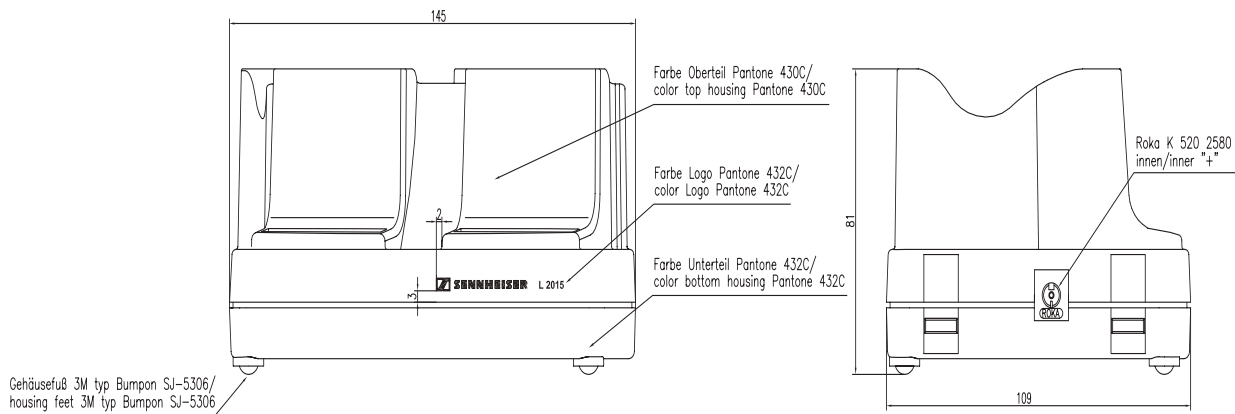
1 L 2015 charger, 1 manual

L 2015 Charger

ARCHITECT'S SPECIFICATIONS

LED indicators shall be provided for each charging well indicating the unit is ready for operation, charging is occurring, a charging fault has occurred, and charging has been completed and the unit has switched to trickle charge; all LEDs shall briefly flash when mains power has been applied. Multiple charging bases shall be capable of being daisy chained together and powered from a single power supply unit (up to maximum current capability of power supply). A power supply unit shall be provided to supply an input range to the charging base unit of 10 – 20 VDC. Current draw for the charging base unit shall be 400 – 750 mA. Output voltage to each connected rechargeable batteries shall be 2.9 VDC. Approximate charging time shall be 2.5 hours. Charging base unit dimensions shall be approximately 5.71" x 3.15" x 4.33" (145 x 80 x 110 mm). Weight without batteries shall be approximately 10.93 oz (310 grams). Operating conditions shall be ambient temperature +32°F to +104°F (0°C to +40°C). The dual well charging base unit shall be Sennheiser model L 2015.

DIMENSIONS



PRODUCT VARIANTS

009828 L 2015

RECOMMENDED ACCESSORIES

Power supply for one L 2015:

NT 1-1-EU European version	Cat.No. 503158
NT 1-1-UK UK version	Cat.No. 503874
NT 1-1-US US version	Cat.No. 503873

Power supply for two to three L 2015:

NT 3-1-EU European version	Cat.No. 503159
NT 3-1-UK UK version	Cat.No. 503876
NT 3-1-US US version	Cat.No. 503877

Contact your local Service Partner:

Sennheiser electronic GmbH & Co. KG
Am Labor 1, 30900 Wedemark, Germany
www.sennheiser.com

 **SENNHEISER**