

Product Specifications

Beta 57A® Supercardioid Dynamic Instrument Microphone

Overview

The Shure Beta 57A is a precision-engineered dynamic microphone designed for professional live sound reinforcement and studio recording. A tight supercardioid pattern delivers high gain before feedback and maximum isolation from other sound sources, with minimum off-axis tone coloration.

Features

- Premier live performance microphone with Shure quality, ruggedness, and reliability
- Uniform supercardioid pick-up pattern for maximum gain before feedback and superior rejection of off-axis sound
- Tailored frequency response specifically shaped for guitars, drums and vocals
- Neodymium magnet for greater sensitivity and higher output
- Advanced pneumatic shock mount system that minimizes transmission of mechanical noise and vibration
- Dent-resistant steel mesh grille and enamel coated die-cast metal construction resist wear and abuse



BETA 57A

Available Models

Beta 57A	Supercardioid Dynamic Instrument Microphone with High-output Neodymium Element
-----------------	--

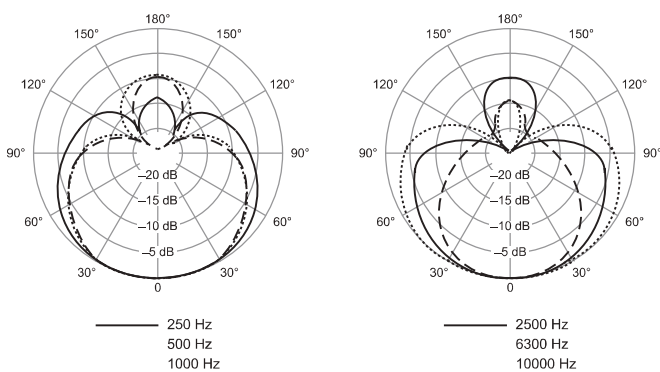
Specifications

Cartridge Type	Dynamic (moving coil)
Frequency Response	50 to 16,000 Hz
Polar Pattern	Supercardioid
Output Impedance	150 ohms
Sensitivity (at 1kHz, open circuit voltage)	-51 dBV/Pa (2.8 mV) 1 Pascal=94 dB SPL
Weight	Net: 0.275 kg (0.6 lbs)
Connector	Three-pin professional audio (XLR), male

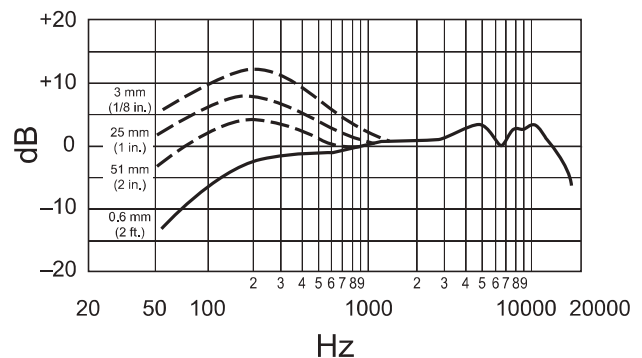
Furnished Accessories

A25D	Adjustable Stand Adapter	95A2050	5/8" to 3/8" (Euro) Thread Adapter
95A2314	Storage Bag		

Polar Pattern



Frequency Response



SHURE
LEGENDARY
PERFORMANCE™

www.shure.com

©2010 Shure Incorporated