

# Quick Start Guide



## CMS 1201DCT

12" Full Range Ceiling Loudspeaker with Dual Concentric Driver and Transformer for Installation Applications

## CMS 1201DC

12" Full Range Ceiling Loudspeaker with Dual Concentric Driver for Installation Applications

## EN Important Safety Instructions



Terminals marked with this symbol carry electrical current of sufficient magnitude to constitute risk of electric shock.

Use only high-quality professional speaker cables with ¼" TS or twist-locking plugs pre-installed. All other installation or modification should be performed only by qualified personnel.



This symbol, wherever it appears, alerts you to the presence of uninsulated dangerous voltage inside the enclosure - voltage that may be sufficient to constitute a risk of shock.



This symbol, wherever it appears, alerts you to important operating and maintenance instructions in the accompanying literature. Please read the manual.



### Caution

To reduce the risk of electric shock, do not remove the top cover (or the rear section). No user serviceable parts inside. Refer servicing to qualified personnel.



### Caution

To reduce the risk of fire or electric shock, do not expose this appliance to rain and moisture. The apparatus shall not be exposed to dripping or splashing liquids and no objects filled with liquids, such as vases, shall be placed on the apparatus.



### Caution

These service instructions are for use by qualified service personnel only. To reduce the risk of electric shock do not perform any servicing other than that contained in the operation instructions. Repairs have to be performed by qualified service personnel.

1. Read these instructions.
2. Keep these instructions.
3. Heed all warnings.
4. Follow all instructions.
5. Do not use this apparatus near water.
6. Clean only with dry cloth.
7. Do not block any ventilation openings. Install in accordance with the manufacturer's instructions.
8. Do not install near any heat sources such as radiators, heat registers, stoves, or other apparatus (including amplifiers) that produce heat.

9. Do not defeat the safety purpose of the polarized or grounding-type plug. A polarized plug has two blades with one wider than the other. A grounding-type plug has two blades and a third grounding prong. The wide blade or the third prong are provided for your safety. If the provided plug does not fit into your outlet, consult an electrician for replacement of the obsolete outlet.

10. Protect the power cord from being walked on or pinched particularly at plugs, convenience receptacles, and the point where they exit from the apparatus.

11. Use only attachments/accessories specified by the manufacturer.



12. Use only with the cart, stand, tripod, bracket, or table specified by the manufacturer, or sold with the apparatus. When a cart is used, use caution when moving the cart/apparatus combination to avoid

injury from tip-over.

13. Unplug this apparatus during lightning storms or when unused for long periods of time.

14. Refer all servicing to qualified service personnel. Servicing is required when the apparatus has been damaged in any way, such as power supply cord or plug is damaged, liquid has been spilled or objects have fallen into the apparatus, the apparatus has been exposed to rain or moisture, does not operate normally, or has been dropped.

15. The apparatus shall be connected to a MAINS socket outlet with a protective earthing connection.

16. Where the MAINS plug or an appliance coupler is used as the disconnect device, the disconnect device shall remain readily operable.



17. Correct disposal of this product: This symbol indicates that this product must not be disposed of with household waste, according to the WEEE Directive (2012/19/EU) and your national law. This product

should be taken to a collection center licensed for the recycling of waste electrical and electronic equipment (EEE). The mishandling of this type of waste could have a possible negative impact on the environment and human health due to potentially hazardous substances that are generally associated with EEE. At the same time, your cooperation in the correct disposal of this product will contribute to the efficient use of natural resources. For more information about where you can take your waste equipment for recycling, please contact your local city office, or your household waste collection service.

18. Do not install in a confined space, such as a book case or similar unit.

19. Do not place naked flame sources, such as lighted candles, on the apparatus.

20. Please keep the environmental aspects of battery disposal in mind. Batteries must be disposed-of at a battery collection point.

21. This apparatus may be used in tropical and moderate climates up to 45°C.

## LEGAL DISCLAIMER

Music Tribe accepts no liability for any loss which may be suffered by any person who relies either wholly or in part upon any description, photograph, or statement contained herein. Technical specifications, appearances and other information are subject to change without notice. All trademarks are the property of their respective owners. Midas, Klark Teknik, Lab Gruppen, Lake, Tannoy, Turbosound, TC Electronic, TC Helicon, Behringer, Bugera, Oberheim, Auratone, Aston Microphones and Coolaudio are trademarks or registered trademarks of Music Tribe Global Brands Ltd. © Music Tribe Global Brands Ltd. 2021 All rights reserved.

## LIMITED WARRANTY

For the applicable warranty terms and conditions and additional information regarding Music Tribe's Limited Warranty, please see complete details online at [musictribe.com/warranty](https://musictribe.com/warranty).



## Introduction

Thank you for purchasing this Tannoy product. The CMS 1201DC is a powerful state-of-the-art large format in-ceiling loudspeaker device conceived, designed and built to complement Tannoy's class-leading CMS range. From the pioneers of point source and large format ceiling speakers the CMS 1201DC is engineered from the ground up with superior full-range performance in mind to handle demanding distributed sound applications such as ballrooms, shopping malls, sports halls, airports and other high ceiling installations. Built around a brand new evolution of the high power handling 12" (300 mm) Dual Concentric point source driver, the CMS 1201DC delivers best-in-class performance for the most even beamwidth and pattern control over the widest range of frequencies of any large format ceiling speaker. Coupled with exceptional clarity, ultra low distortion, and high SPLs, Tannoy has again raised the bar to give the absolute cutting edge performance in ceiling mounted loudspeaker technology. The new Dual Concentric drive assembly features a treated mid-bass cone and double rolled cambric surround for high sensitivity, as well as a 34 mm (1.34") aluminium dome with ferrofluid-cooled Neodymium magnet assembly and a newly designed waveguide for the high frequency unit. These two drivers seamlessly merge into one with the high frequency mounted in the throat of the mid-bass; coincidentally aligning both transducers to a point source. The result is a smooth, uniform response over a very controlled 90 degree coverage area – even in the highest octaves.

## Unpacking and Visual Checks

Every Tannoy product and accessory is carefully inspected before packing. After unpacking, please inspect your product to make sure no damage has occurred in transit. In the unlikely event of any damage, would you please notify your dealer immediately and retain your shipping carton, as your dealer may ask you to return the faulty unit to him for inspection.

## Product Overview

The CMS1201 DC comprises three discrete components that are ordered separately under different part numbers.

- A loudspeaker assembly that includes a Dual Concentric drive unit mounted on a ported steel baffle, and its crossover. This baffle may also include a line transformer (CMS 1201DCT)
- A steel back-can with multiple mounting points
- A grille assembly with its moulded bevel cover

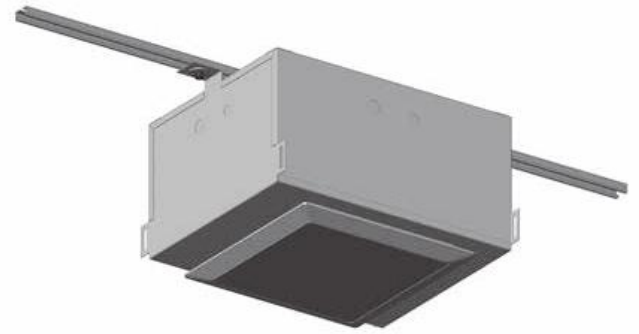
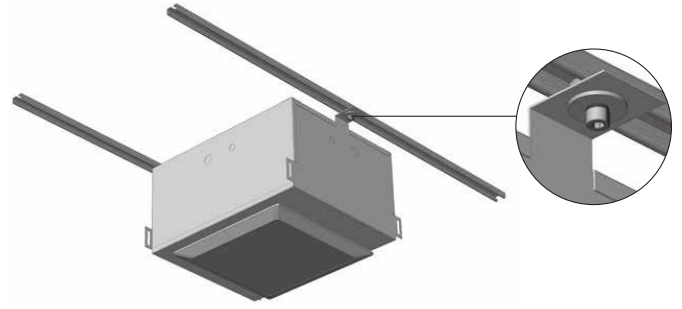
## Installation Guide

### Back-can

The custom engineered powder coated steel back-can has been designed to cater for all conceivable installation possibilities making the CMS 1201DC extremely versatile. Internally dampened with 11 mm (0.43") OSB2 board, the addition of the back-can provides exceptional low frequency performance.

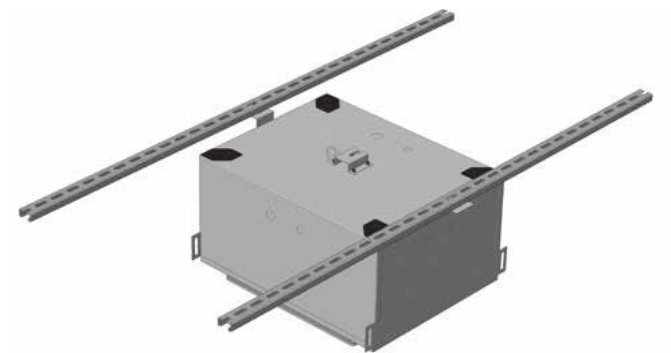
### Mounted using Unistrut roof rail system

Steel mounting lugs allow for fitting to a Unistrut roof rail system in a variety of configurations both directly or via secondary prefixed cross struts.



**Speaker mounted to a single rail**

Screw at fixing point should use a large series washer to help spread the load.



**Back-can mounted between rails**

## Flying using Eyebolts

**WARNING:** As the legal requirements for flying change from country to country, please consult your local safety standards office before installing any product. We also recommend that you thoroughly check any laws and bylaws prior to commencing work.

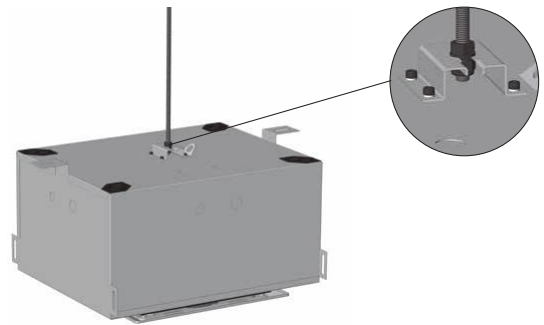
The device can also be hung via 4 top-mounted eye bolts. Rear of back can has mounting points for both M10 and 3/8 UNC threaded eyebolts.



## Flying using Screwed Rod

The design also caters for a single point central hang via M10 or 3/8 UNC screwed rod – made easy thanks to the slotted mounting saddle on the top of the back-can. If required a safety wire can be attached to any of the M10 flying points.

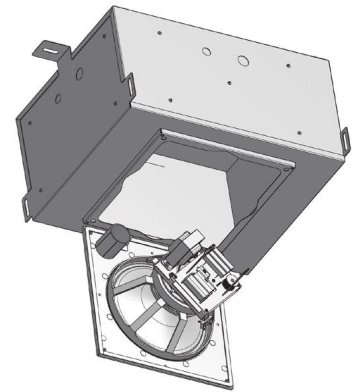
To fit the back can to threaded rod support, first run a nut 50 mm (2") up the rod followed by two plain washers and then a locking nut (Nyloc). Hook the back can on to the rod between the two plain washers. Once the nut has cleared the guide slot the top nut can be locked down to secure.



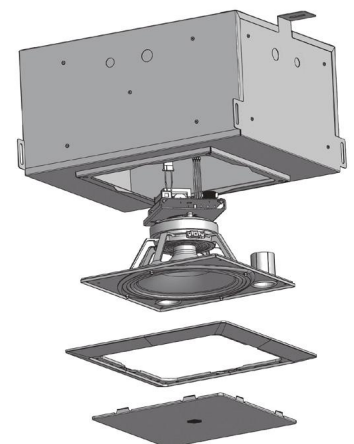
## Fitting the Loudspeaker Assembly

Mounting of the loudspeaker assembly to the pre-installed back-can is a one man job thanks to the common sense design approach. One edge of the baffle clips onto the steel box to hold it in place while the installer secures the assembly in place. Connection is simple via terminal barrier strips inside the can, easily accessible via 20 mm (0.79") and 29 mm (1.14") conduit knockouts on all five sides of the can. Saving time and manpower during installation has been a driving factor behind the design of the CMS 1201 system.

Baffle assembly can be hooked onto the back can with care.



## Fitting the Grille



## Wiring and Setting Up

The CMS 1201 is available in both a standard low-impedance variant (CMS 1201DC) and a low insertion loss 60 W line transformer-equipped version (CMS 1201DCT) for use on 70 V or 100 V distributed lines. The following tapings are configurable on the transformer before screwing driver assembly into the back can:

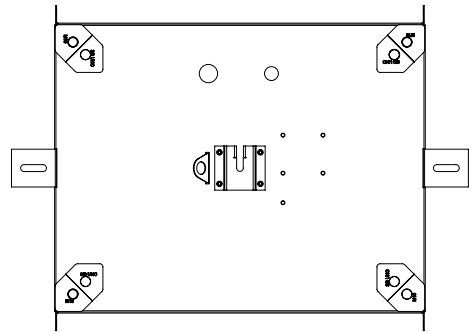
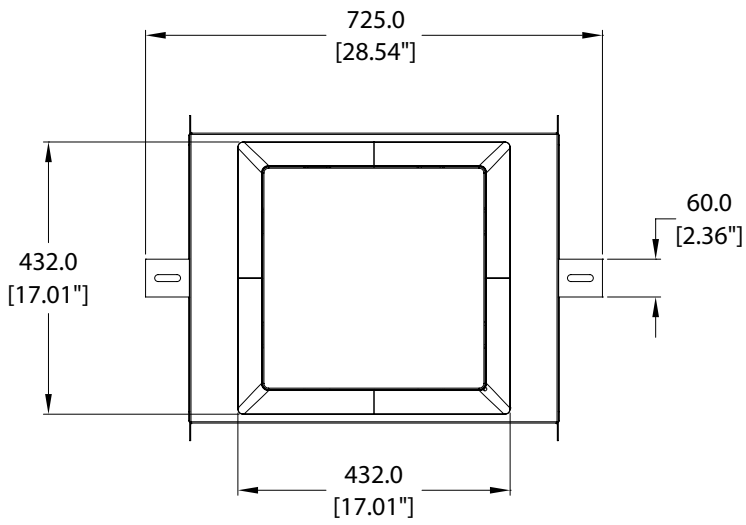
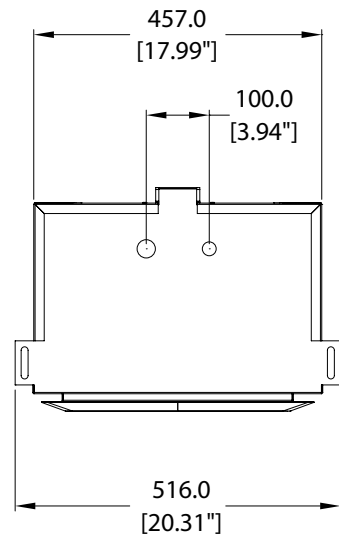
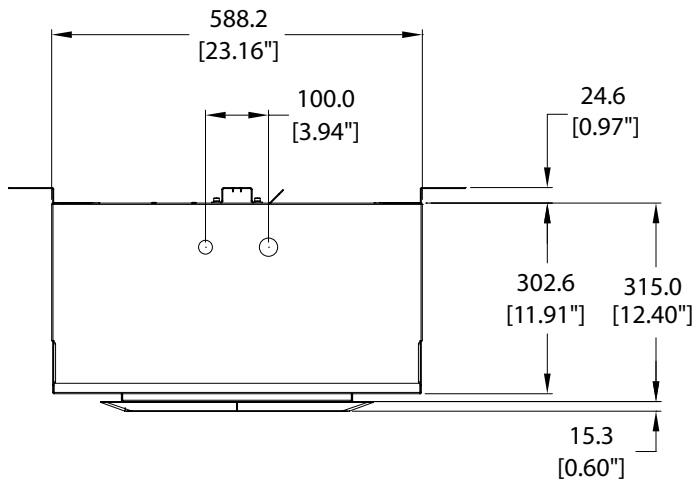
70 V systems: 60 W / 30 W / 15 W / 7.5 W / OFF

100 V systems: 60 W / 30 W / 15 W / OFF

If later adjustment to the level is required the baffle can be hung from the can via a hinged edge, leaving both hands free to make the required adjustment.

Tannoy's focus on maintaining the highest standards of continuous product performance and reliability, through uncompromising quality control of components and manufacturing processes, means you can specify and install CMS 1201DC with confidence

# Dimensions



# Specifications

## Performance

Frequency response (-3 dB) <sup>(1)</sup>	60 Hz - 20 kHz
Frequency range (-10 dB) <sup>(1)</sup>	45 Hz - 30 kHz
System Sensitivity (1W @ 1m) <sup>(2)</sup>	97 dB (1 W = 2.83 V for 8 Ohms)
Nominal Coverage Angle	90 Degrees Conical
Coverage Angle (1 kHz to 16 kHz)	90 Degrees Conical
Crossover	1.6 kHz - 2nd order LF, 2nd order HF
Directivity Factor (Q)	8.9
Directivity Index (DI)	9,5

## Rated maximum SPL<sup>(2)</sup>

Average	120 dB
Peak	126 dB
With THP 60 - Average	115 dB

## Power Handling

Average	200 W
Programme	400 W
Peak	800 W
Recommended Amplifier Power	400 W @ 8 Ohms
Nominal Impedance	8 Ohms

## Transformer Taps (CMS 1201DCt only)

70 V	60 W / 30 W / 15 W / 7.5 W / OFF
100 V	60 W / 30 W / 15 W / OFF

## Transducers

Low Frequency	1 x 300 mm (12.00") Dual Concentric™ constant directivity driver with treated cone
High Frequency	34 mm (1.34") aluminium dome with neodymium magnet system

## Physical

### Enclosure

Backcan	1.6 mm black powder coated steel, damped with 11 mm OSB board
Baffle	1.2 mm black powder coated steel
Grille	1.0 mm white powder coated perforated steel
Connectors	Terminal barrier strip inside the can, with loop thru capability
Safety Features	Safety ring located at the rear of enclosure for load bearing safety bond
Cable Entry Options	20 mm and 28 mm on knockouts
Conduit Knockouts	4 sides + top
Dimensions (H x W x D)	331 x 725 x 516 mm (13.0 x 28.5 x 20.3")

### Net Weight

Backcan	21.4 kg (47.1 lbs)
Baffle	
1201DC	6.8 kg (15.0 lbs)
1201DCt	7.9 kg (17.4 lbs)
Grille	1.0 kg (2.2 lbs)

#### Notes:

1. Average over stated bandwidth. Measured in an IEC baffle in an Anechoic Chamber

2. Unweighted pink noise input, measured at 1 metre on axis

3. Long term power handling capacity as defined in EIA - 426B test

A full range of measurements, performance data, CLF and Ease™ Data for CMS 1201DC can be downloaded from [tannoypro.com](http://tannoypro.com).



# Other important information

## EN Important information

- 1. Register online.** Please register your new Music Tribe equipment right after you purchase it by visiting [musictribe.com](https://musictribe.com). Registering your purchase using our simple online form helps us to process your repair claims more quickly and efficiently. Also, read the terms and conditions of our warranty, if applicable.
- 2. Malfunction.** Should your Music Tribe Authorized Reseller not be located in your vicinity, you may contact the Music Tribe Authorized Fulfiller for your country listed under “Support” at [musictribe.com](https://musictribe.com). Should your country not be listed, please check if your problem can be dealt with by our “Online Support” which may also be found under “Support” at [musictribe.com](https://musictribe.com). Alternatively, please submit an online warranty claim at [musictribe.com](https://musictribe.com) BEFORE returning the product.
- 3. Power Connections.** Before plugging the unit into a power socket, please make sure you are using the correct mains voltage for your particular model. Faulty fuses must be replaced with fuses of the same type and rating without exception.



Hereby, Music Tribe declares that this product is in compliance with Directive 2011/65/EU and Amendment 2015/863/EU, Directive 2012/19/EU, Regulation 519/2012 REACH SVHC and Directive 1907/2006/EC, and this passive product is not applicable to EMC Directive 2014/30/EU, LV Directive 2014/35/EU.

Full text of EU DoC is available at <https://community.musictribe.com/>

EU Representative: Music Tribe Brands DK A/S

Address: Ib Spang Olsens Gade 17, DK - 8200 Aarhus N, Denmark

