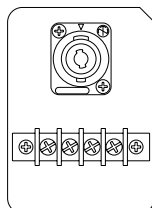




IF2115



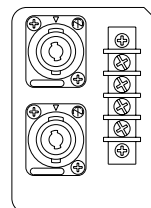
IF2115
Rear Panel



IF2115AS



IF2115AS
Rear Panel



IF2115

IF2115M

IF2115AS

Two-way full-range models with 15-inch woofers for solid low-frequency response.

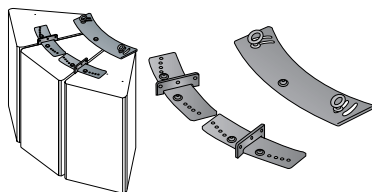
- Sound and phase characteristics matched with all other Installation Series models for optimum performance in any combination.
- 15" woofer specially treated for superior sound and durability.
- 3" high-frequency compression driver with 1.4" exit (IF2115 and IF2115AS) or 1.7" high-frequency compression driver with 1.4" exit (IF2115M).
- Three horn dispersion patterns available for each model: 60° x 40° (/64), 90° x 50° (/95), and 90° x 90° (/99).
- Horn can be rotated 90-degrees for vertical or horizontal mounting.
- Trapezoidal design eliminates interference in array use.
- Switchable between single-amp and bi-amp operation.
- Fifteen 10-mm (M10) screw and four 8-mm (M8) screw suspension points provided for flexible rigging on the IF2115 and IF2115M; 16 10-mm screw (M10) points on the IF2115AS.
- Durable black or white finish (can be painted to match any interior).
- Optional matching array frame and U-bracket available for the IF2115 and IF2115M.
- Optional matching U-bracket available for the IF2115AS.
- Parallel-wired Neutrik NL4 and barrier strip connectors.

OPTIONS

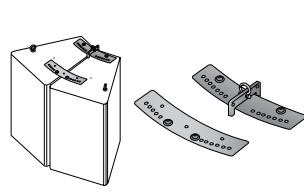
Accessories

Durable black or white finish as well as Installation series speaker, which can be painted to match any interior.

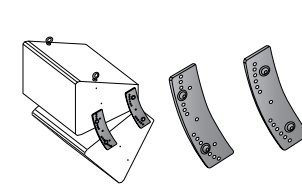
Horizontal Array Frame HAF3-2115



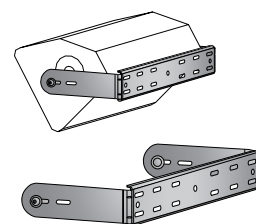
Horizontal Array Frame HAF2-2115



Vertical Array Frame VAF2-2115



U-Brackets UB2115



Download the Rigging Guide from Yamaha's website for rigging details:

<http://www.yamahaproaudio.com/>

Installation Series

GENERAL SPECIFICATIONS

MODEL	IF2115/64(W)		IF2115/95(W)		IF2115/99(W)		IF2115/AS	
Nominal coverage @-6dB (Horizontal x Vertical)	60°x40° rotatable		90°x50° rotatable		90°x90°		60°-100°x60°, rotatable	
Nominal impedance	Passive		8Ω		8Ω			
	Bi-amp LF/HF		LF:8Ω, HF:8Ω					
Power rating *1	Passive	NOISE	600W		1200W			
		PGM	1200W		2400W			
	Bi-amp LF/HF	NOISE	LF:700W (AES), HF:110W (AES)		LF:1400W (AES), HF:220W (AES)			
		PGM	LF:2800W (AES), HF:440W (AES)					
Recommended amplifier	Passive	T5n, PC9501N, XP7000						
	Bi-amp LF/HF	LF:T5n, PC9501N, HF:XP1000, PC2001N*						
Sensitivity (SPL, 1W, 1m)	Passive	97dB SPL		98dB SPL				
	Bi-amp	LF	110dB SPL	108dB SPL	106dB SPL	108dB SPL		
Continuous SPL (calculated)	Passive	125dB SPL		126dB SPL				
	Bi-amp	LF	130dB SPL	128dB SPL	126dB SPL	128dB SPL		
Peak SPL (calculated)	Passive	131dB SPL		132dB SPL				
	Bi-amp	LF	136dB SPL	134dB SPL	132dB SPL	134dB SPL		
Components	LF	15" woofer, 4" voice coil						
	HF	Rotatable constant directivity horn, 1/4" exit, 3" diaphragm compression driver						
Frequency range (-10dB) ²			50 Hz-20k Hz					
Connectors			1x NL4 and barrier strip, wired in parallel		2 x NL4 and barrier strip, wired in parallel			
Shape			30 degrees trapezoidal		Multi-angle wedge			
Dimensions (W x H x D)			448 x 770 x 534 (17.6" x 30.3" x 21.0")		448 x 770 x 374 (17.6" x 30.3" x 14.7")			
Weight			39.0kg (86.0lbs)		35.0kg (77lbs)			
Flying hardware			15x M10, 4x M8		16x M10			
Optional accessories			UB2115(W), HAF2-2115(W), HAF3-2115(W), VAF2-2115(W)		UB2115(W)			
3rd Party Accessory	Omnimount (US)	120.0 series						
	Multimount (US, Allen products)	120 series						
	Powerdrive (UK)	120 series						
	Ohashi (Japan)							

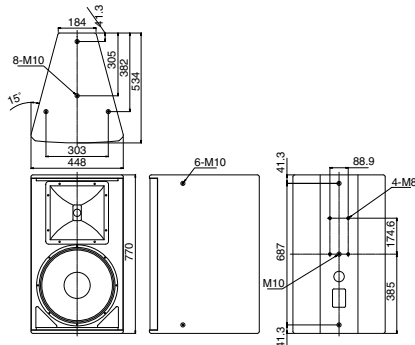
*1 2hrs, IEC *2 Bi-amp mode, Yamaha recommended DSP configuration *3 1ch for 2 (Parallel)

MODEL	IF2115M/64(W)		IF2115M/95(W)		IF2115M/99(W)	
Nominal coverage @-6dB (Horizontal x Vertical)	60°x40° rotatable		90°x50° rotatable		90°x90°	
Nominal impedance	Passive		8Ω		8Ω	
	Bi-amp LF/HF		LF:8Ω, HF:8Ω			
Power rating *1	Passive	NOISE	350W		700W	
		PGM	700W		1400W	
	Bi-amp LF/HF	NOISE	LF:400W (AES), HF:60W (AES)		LF:800W (AES), HF:120W (AES)	
		PGM	LF:1600W (AES), HF:240W (AES)			
Recommended amplifier	Passive	T3n, PC6501N, XP7000				
	Bi-amp LF/HF	LF:T3n, PC6501N, XP7000, HF:XP1000, PC2001N*				
Sensitivity (SPL, 1W, 1m)	Passive	97dB SPL		98dB SPL		
	Bi-amp	LF	110dB SPL	108dB SPL	108dB SPL	
Continuous SPL (calculated)	Passive	122dB SPL		124dB SPL		
	Bi-amp	LF	128dB SPL	126dB SPL	126dB SPL	
Peak SPL (calculated)	Passive	128dB SPL		130dB SPL		
	Bi-amp	LF	134dB SPL	132dB SPL	132dB SPL	
Components	LF	15" woofer, 3" voice coil				
	HF	Rotatable constant directivity horn, 1/4" exit, 1.7" voice coil compression driver				
Frequency range (-10dB) ²			45 Hz-20k Hz			
Connectors			1x NL4 and barrier strip, wired in parallel			
Shape			30 degrees trapezoidal			
Dimensions (W x H x D)			448 x 770 x 534 (17.6" x 30.3" x 21.0")			
Weight			34.0kg (75.0lbs)			
Flying hardware			15x M10, 4x M8			
Optional accessories			UB2115(W), HAF2-2115(W), HAF3-2115(W), VAF2-2115(W)			
3rd Party Accessory	Omnimount (US)	120.0 series				
	Multimount (US, Allen products)	120 series				
	Powerdrive (UK)	120 series				
	Ohashi (Japan)					

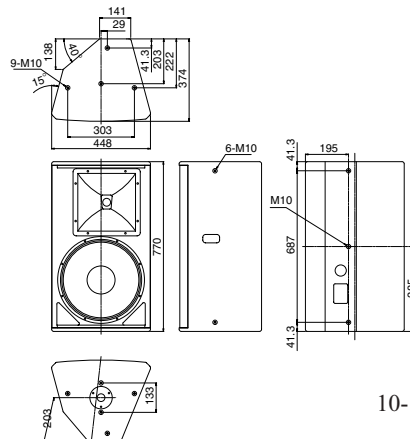
*1 2hrs, IEC *2 Bi-amp mode, Yamaha recommended DSP configuration *3 1ch for 2 (Parallel)

DIMENSIONS

IF2115/64/95/99



IF2115/AS



unit : mm

• Specifications and appearance are subject to change without notice.

YAMAHA CORPORATION
10-1 Nakazawa-cho, Naka-ku, Hamamatsu Japan
www.yamahaproaudio.com