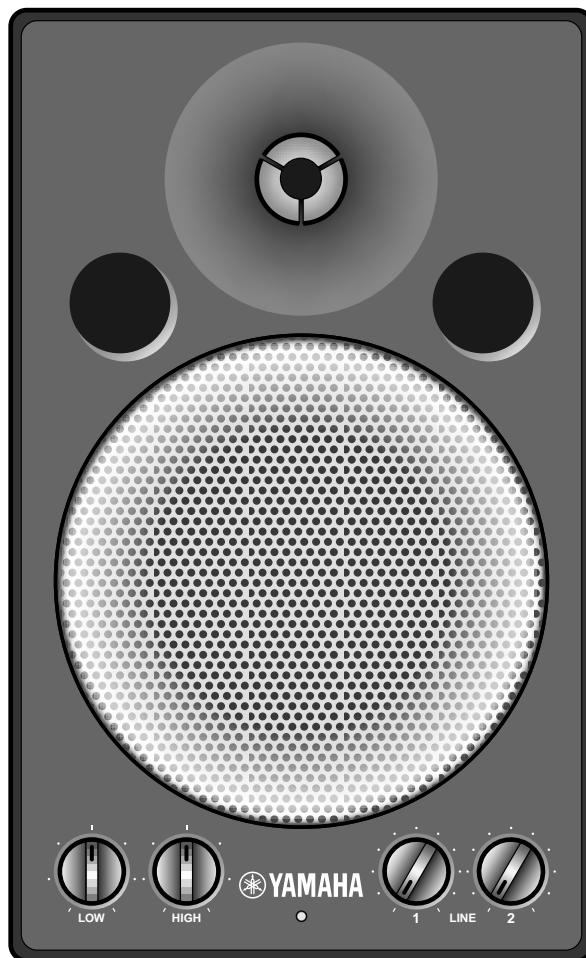


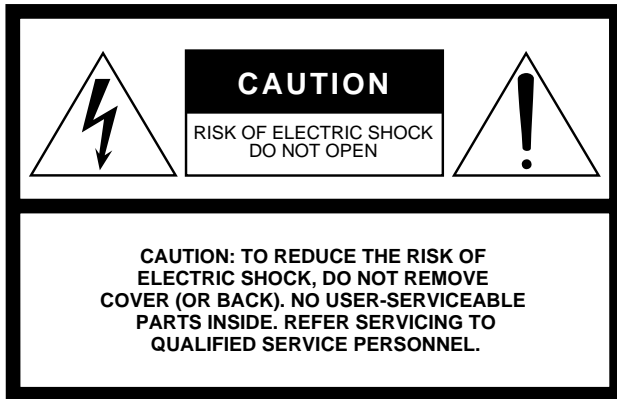


MONITOR SPEAKER

MSP3

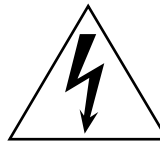
Owner's manual





The above warning is located on the rear of the unit

• Explanation of Graphical Symbols



The lightning flash with arrowhead symbol within an equilateral triangle is intended to alert the user to the presence of uninsulated “dangerous voltage” within the product’s enclosure that may be of sufficient magnitude to constitute a risk of electric shock to persons.



The exclamation point within an equilateral triangle is intended to alert the user to the presence of important operating and maintenance (servicing) instructions in the literature accompanying the product.

IMPORTANT SAFETY INSTRUCTIONS

- 1 Read these instructions.
- 2 Keep these instructions.
- 3 Heed all warnings.
- 4 Follow all instructions.
- 5 Do not use this apparatus near water.
- 6 Clean only with dry cloth.
- 7 Do not block any ventilation openings. Install in accordance with the manufacturer’s instructions.
- 8 Do not install near any heat sources such as radiators, heat registers, stoves, or other apparatus (including amplifiers) that produce heat.
- 9 Do not defeat the safety purpose of the polarized or grounding-type plug. A polarized plug has two blades with one wider than the other. A grounding type plug has two blades and a third grounding prong. The wide blade or the third prong are provided for your safety. If the provided plug does not fit into your outlet, consult an electrician for replacement of the obsolete outlet.
- 10 Protect the power cord from being walked on or pinched particularly at plugs, convenience

receptacles, and the point where they exit from the apparatus.

- 11 Only use attachments/accessories specified by the manufacturer.

- 12 Use only with the cart, stand, tripod, bracket, or table specified by the manufacturer, or sold with the apparatus. When a cart is used, use caution when moving the cart/apparatus combination to avoid injury from tip-over.



- 13 Unplug this apparatus during lightning storms or when unused for long periods of time.
- 14 Refer all servicing to qualified service personnel. Servicing is required when the apparatus has been damaged in any way, such as power-supply cord or plug is damaged, liquid has been spilled or objects have fallen into the apparatus, the apparatus has been exposed to rain or moisture, does not operate normally, or has been dropped.

WARNING

TO REDUCE THE RISK OF FIRE OR ELECTRIC SHOCK, DO NOT EXPOSE THIS APPARATUS TO RAIN OR MOISTURE.

IMPORTANT

Please record the serial number of this unit in the space below.

Model:

Serial No.:

The serial number is located on the bottom or rear of the unit.

Retain this Owner’s Manual in a safe place for future reference.

IMPORTANT

THE WIRES IN MAINS LEAD ARE COLOURED IN ACCORDANCE WITH THE FOLLOWING CODE:

BLUE : NEUTRAL
BROWN : LIVE

As the colours of the wires in the mains lead of this apparatus may not correspond with the coloured markings identifying the terminals in your plug proceed as follows:

The wire which is coloured BLUE must be connected to the terminal which is marked with the letter N or coloured BLACK.

The wire which is coloured BROWN must be connected to the terminal which is marked with the letter L or coloured RED.

Making sure that neither core is connected to the earth terminal of the three pin plug.

* This applies only to products distributed by YAMAHA KEMBLE MUSIC (U.K.) LTD.

Thank you for purchasing the Yamaha MSP3 monitor speaker system. The MSP3 features a compact bass reflex cabinet, with a 10 cm two-way cone speaker and a 2.2 cm dome speaker. This powered bi-amplifier speaker system faithfully reproduces sound and can be used for a wide range of applications, from personal home recordings to serious professional use. Please read this Owner's Manual thoroughly to make the best use of the MSP3's quality functions for the longest period of time, and keep the manual in a safe place.

Precautions

Warning

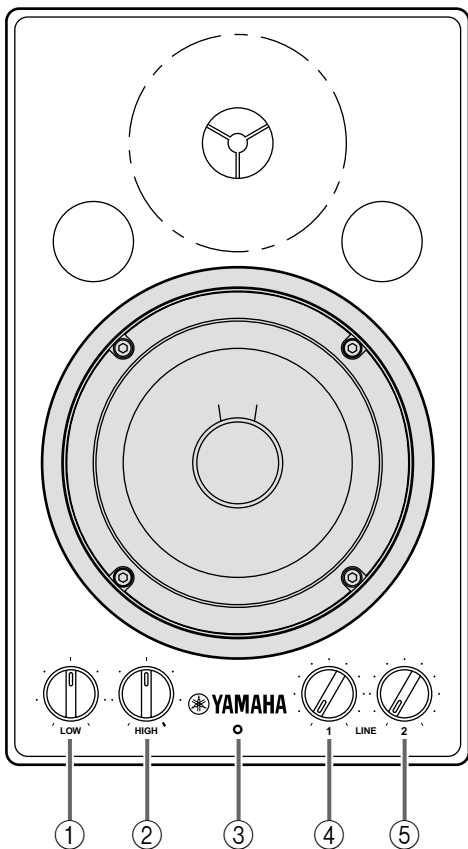
- Connect this unit's power cord only to an AC outlet of the type stated in this Owner's Manual or as marked on the unit. Failure to do so is a fire and electrical shock hazard.
- Do not allow water to enter this unit or allow the unit to become wet. Fire or electrical shock may result.
- Do not place heavy objects, including this unit, on top of the power cord. A damaged power cord is a fire and electrical shock hazard. In particular, be careful not to place heavy objects on a power cord covered by a carpet.
- Do not insert or drop metal or flammable objects into the port of this unit. Fire or electrical shock may result.
- Do not place a container with liquid or small metal objects on top of this unit. Liquid or metal objects inside this unit are a fire and electrical shock hazard.
- Do not scratch, bend, twist, pull, or heat the power cord. A damaged power cord is a fire and electrical shock hazard.
- Do not modify the unit. Doing so is a fire and electrical shock hazard.
- If lightning begins to occur, turn off the power switch of the unit as soon as possible, and unplug the power cable plug from the electrical outlet.
- If there is a possibility of lightning, do not touch the power cable plug if it is still connected. Doing so may be an electrical shock hazard.
- Do not remove the unit's cover. You could receive an electrical shock. If you think internal inspection, maintenance, or repair is necessary, contact your dealer.
- If the power cord is damaged (i.e., cut or a bare wire is exposed), ask your dealer for a replacement. Using the unit with a damaged power cord is a fire and electrical shock hazard.
- If you notice any abnormality, such as smoke, odor, or noise, or if a foreign object or liquid gets inside the unit, turn it off immediately. Remove the power cord from the AC outlet. Consult your dealer for repair. Using the unit in this condition is a fire and electrical shock hazard.
- Should this unit be dropped or the cabinet be damaged, turn the power switch off, remove the power plug from the AC outlet, and contact your dealer. If you continue using the unit without heeding this instruction, fire or electrical shock may result.

Cautions

- Keep this unit away from the following locations:
 - Locations exposed to oil splashes or steam, such as near cooking stoves, humidifiers, etc.
 - Unstable surfaces, such as a wobbly table or slope.
 - Locations exposed to excessive heat, such as inside a car with all the windows closed, or places that receive direct sunlight.
 - Locations subject to excessive humidity or dust accumulation.
- Do not place the power cord close to a heater. It may melt, causing fire or electrical shock.
- Hold the power cord plug when disconnecting it from an AC outlet. Never pull the cord. A damaged power cord is a potential fire and electrical shock hazard.
- Do not touch the power plug with wet hands. Doing so is a potential electrical shock hazard.
- When rack-mounting the unit, allow enough free space around the unit for normal ventilation. This should be: 10 cm at the sides, 20 cm behind, and 30 cm above. For normal ventilation during use, remove the rear of the rack or open a ventilation hole. If the airflow is not adequate, the unit will heat up inside and may cause a fire.
- A speaker system placed on top of a table may move gradually due to vibration and may eventually fall off the table, causing damage or injury. In such an installation, fix the speaker system to the table and check it occasionally.

- To relocate the unit, turn the power switch off, remove the power plug from the AC outlet, and remove all connecting cables. Damaged cables may cause fire or electrical shock.
- Turn off all musical instruments, and audio equipment when connecting to this unit. Use the correct connecting cables and connect as specified.
- Always lower the volume control to minimum before turning on the power to this unit. A sudden blast of sound may damage your hearing.
- Do not output distorted sounds for long periods of time, as this will cause the speaker to heat up, leading to a fire hazard.
- Do not raise the volume of speakers to a level that makes you feel uncomfortable. Listening to loud music for long periods can damage your hearing.
- If you know you will not use this unit for a long period of time, such as when going on vacation, remove the power plug from the AC outlet. Leaving it connected is a potential fire hazard.
- To prevent electrical shock when cleaning the unit, remove the power plug from the AC outlet.
- XLR-type connectors are wired as follows: pin 1: ground, pin 2: hot (+), and pin 3: cold (-).
- This speaker is magnetically shielded. However, if a nearby monitor displays any uneven colors, place it further away from the monitor.
- Using a mobile telephone near this unit may induce noise. If noise occurs, use the telephone away from the unit.

Front panel/Rear panel



① LOW control

This control knob enables you to adjust the bass in the range of -3dB to $+3\text{dB}$ based on a reference value of 100Hz . The bass range is flat with the knob set at 12 o'clock, boosted when the knob is turned clockwise, and cut when the knob is turned counter-clockwise.

② HIGH control

This control knob enables you to adjust the treble in the range of -3dB to $+3\text{dB}$ based on a reference value of 10kHz . The treble range is flat with the knob set at 12 o'clock, boosted when the knob is turned clockwise, and cut when the knob is turned counter-clockwise.

③ Power indicator

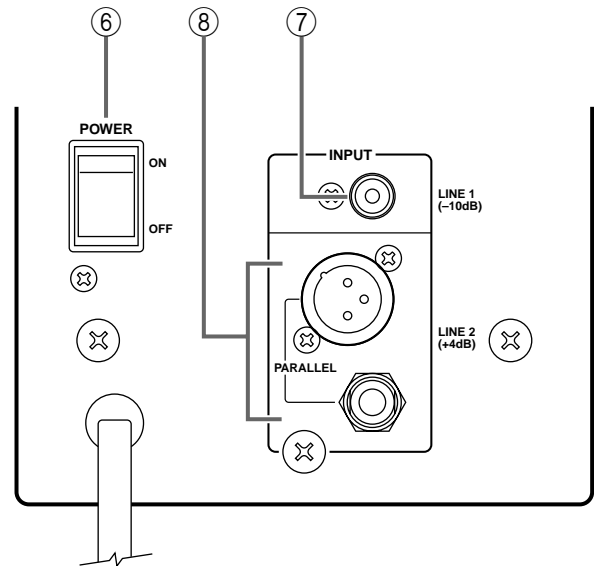
This indicator lights up green when you turn the POWER switch on the rear panel ON.

④ LINE 1 level control

This control knob enables you to adjust the volume level of the signal input at the INPUT LINE 1 jack (⑦) on the rear panel. Turning the knob counter-clockwise lowers the volume level, and turning it clockwise raise the level.

⑤ LINE 2 level control

This control knob enables you to adjust the volume level of the signal input at one of the INPUT LINE 2 jacks (⑧) on the rear panel. Turning the knob counter-clockwise lowers the volume level, and turning it clockwise raises the level.



⑥ POWER switch

This switch turns the power to the MSP3 on and off. When you turn this switch on, the power indicator (③) lights up green.

⑦ INPUT LINE 1 jack

This input jack is used to connect an RCA pin plug.

⑧ INPUT LINE 2 jacks

These balanced jacks are used to connect an XLR-3-31 type connector or a TRS phone plug to input line-level signals from a mixing console.

CAUTION

TO PREVENT ELECTRIC SHOCK,
MATCH WIDE BLADE OF PLUG TO
WIDE SLOT, FULLY INSERT.

Specifications

● General specifications

Type..... 2-way Bass Reflex
 Powered Speaker
 Crossover Frequency 4 kHz
 Frequency Range 65 Hz–22 kHz
 Maximum Output Level 98 dB (1 m on Axis)
 Dimensions (W × H × D) 144 × 236 × 167 mm
 Weight 4.4 kg
 Magnetic shielded..... EIAJ

● Speaker unit

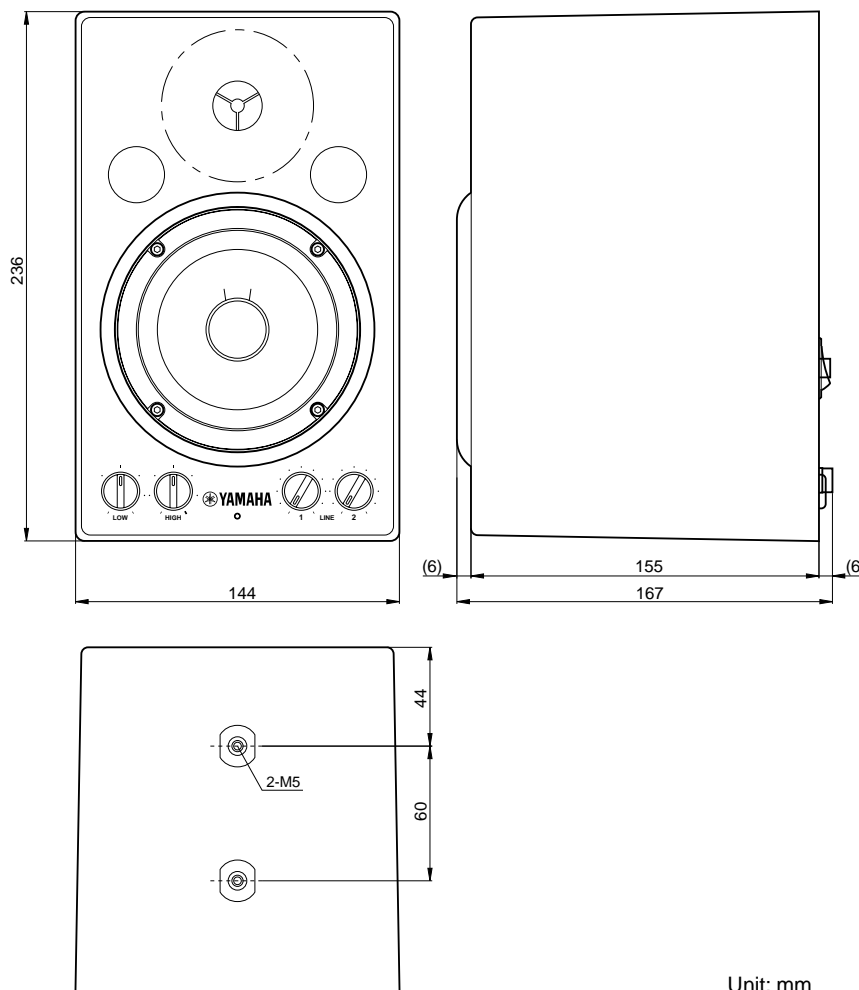
Speaker Unit
 LF: 10 cm cone (4Ω, magnetic shielded)
 HF: 2.2 cm dome (4Ω, magnetic shielded)
 Enclosure
 Type: Bass Reflex

● Amp.unit

Maximum Output Power20W
 Input Sensitivity/Impedance
 LINE 1: –10 dB/10 kΩ (RCA phono, Unbalanced)
 LINE 2: +4 dB/10 kΩ (XLR, phone Balanced)
 Level control
 LINE 1
 LINE 2
 Tone control
 HIGH
 LOW
 Power IndicatorGreen LED
 Power Requirement
 USA and Canada:AC120 V, 60 Hz
 Europe:.....AC230 V, 50 Hz
 Others:AC240 V, 50 Hz
 Power Consumption30 W
 OptionBWS20-190 (Ceiling/
 wall Bracket)

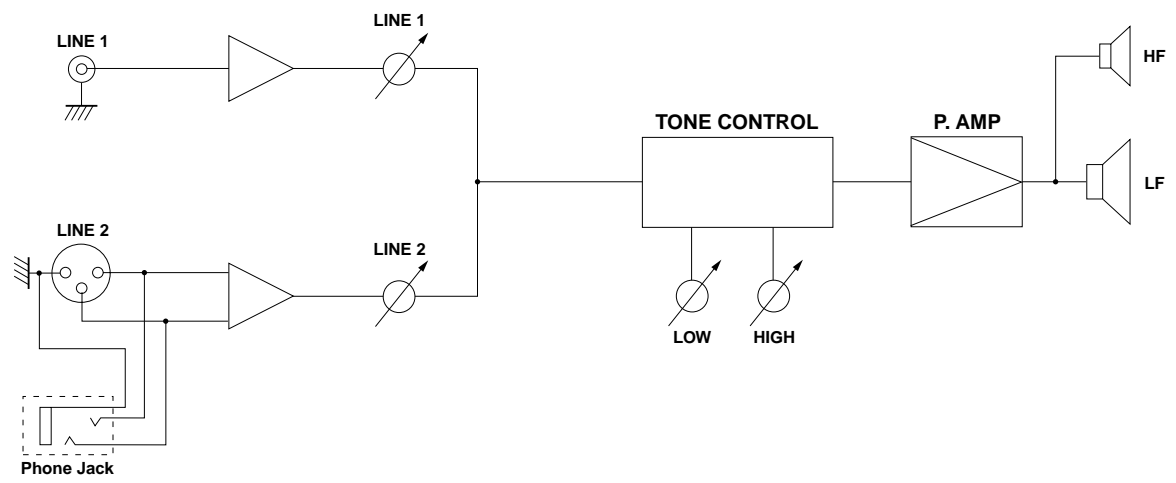
Specifications and appearance are subject to change without notice.

Dimensions



Unit: mm

Block Diagram



Performance graph

