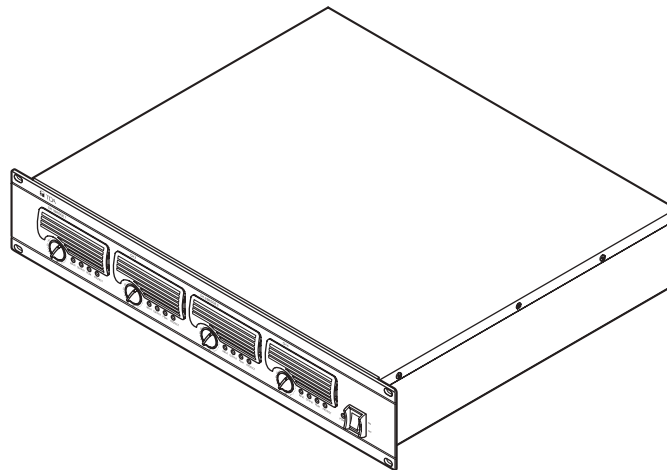




OPERATING INSTRUCTIONS

MULTICHANNEL POWER AMPLIFIERS

DA-550F CE
DA-500FH CE



Note: The figure shows the DA-550F.

An all-pole mains switch with a contact separation of at least 3 mm in each pole shall be incorporated in the electrical installation of the building.

Thank you for purchasing TOA's Multichannel Power Amplifier.
Please carefully follow the instructions in this manual to ensure long, trouble-free use of your equipment.

TOA Corporation

TABLE OF CONTENTS

1. SAFETY PRECAUTIONS	3
2. GENERAL DESCRIPTION	4
3. FEATURES	4
4. HANDLING PRECAUTIONS	5
5. INSTALLATION PRECAUTIONS	5
6. NOMENCLATURE AND FUNCTIONS	
Front	6
Rear	7
7. SETTINGS AND CONNECTIONS	
7.1. Switch Settings and Speaker Connections	
7.1.1. When using the DA-550F	8
7.1.2. When using the DA-500FH	10
8. REMOVABLE TERMINAL PLUG CONNECTION	11
9. PROTECTION OPERATION LIST	12
10. TAMPER-PROOF CAP ATTACHMENT	12
11. CLEANING THE FILTER	13
12. DIMENSIONAL DIAGRAM	13
13 BLOCK DIAGRAMS	
13.1. DA-550F	14
13.2. DA-500FH	14
14. HOW TO USE THE CONTROL/MONITOR TERMINALS	
14.1. Control Terminal (Input)	15
14.2. Monitor Terminal (Output)	15
14.3. About Pin 7 of the Control/Monitor Terminals	16
14.4. Terminal Pin Arrangement	16
14.5. Connection Cable and Maximum Cable Length	16
14.6. RJ45 Connector's Pin Arrangement and Cable Color Codes	17
15. SPECIFICATIONS	
15.1. DA-550F CE	18
15.2. DA-500FH CE	19

1. SAFETY PRECAUTIONS

- Before installation or use, be sure to carefully read all the instructions in this section for correct and safe operation.
- Be sure to follow all the precautionary instructions in this section, which contain important warnings and/or cautions regarding safety.
- After reading, keep this manual handy for future reference.

Safety Symbol and Message Conventions

Safety symbols and messages described below are used in this manual to prevent bodily injury and property damage which could result from mishandling. Before operating your product, read this manual first and understand the safety symbols and messages so you are thoroughly aware of the potential safety hazards.



WARNING

Indicates a potentially hazardous situation which, if mishandled, could result in death or serious personal injury.



CAUTION

Indicates a potentially hazardous situation which, if mishandled, could result in moderate or minor personal injury, and/or property damage.

WARNING

When Installing the Unit

- Do not expose the unit to rain or an environment where it may be splashed by water or other liquids, as doing so may result in fire or electric shock.
- Use the unit only with the voltage specified on the unit. Using a voltage higher than that which is specified may result in fire or electric shock.
- Do not cut, kink, otherwise damage nor modify the power supply cord. In addition, avoid using the power cord in close proximity to heaters, and never place heavy objects -- including the unit itself -- on the power cord, as doing so may result in fire or electric shock.
- Be sure to replace the unit's terminal cover after connection completion. Because the voltage of up to 100 V is applied to the high impedance speaker terminals, never touch these terminals to avoid electric shock. (DA-500FH only)
- External wiring connected to the terminals marked with ⚡ requires installation by an instructed person. (DA-500FH only)
- The apparatus shall be connected to a mains socket outlet with a protective earthing connection.

When the Unit is in Use

- Should the following irregularity be found during use, immediately turn off this unit's power switch, disconnect the power supply plug from the AC outlet and contact your nearest TOA dealer. Make no further attempt to operate the unit in this condition as this may cause fire or electric shock.
 - If you detect smoke or a strange smell coming from the unit.

- If water or any metallic object gets into the unit
- If the unit falls, or the unit case breaks
- If the power supply cord is damaged (exposure of the core, disconnection, etc.)
- If it is malfunctioning (no tone sounds.)
- To prevent a fire or electric shock, never open nor remove the unit case as there are high voltage components inside the unit. Refer all servicing such as modification inside the unit to qualified service personnel.
- Do not place cups, bowls, or other containers of liquid or metallic objects on top of the unit. If they accidentally spill into the unit, this may cause a fire or electric shock.
- Do not insert nor drop metallic objects or flammable materials in the ventilation slots of the unit's cover, as this may result in fire or electric shock.
- Do not touch a plug during thunder and lightning, as this may result in electric shock.



CAUTION

When Installing the Unit

- Never plug in nor remove the power supply plug with wet hands, as doing so may cause electric shock.
- When unplugging the power supply cord, be sure to grasp the power supply plug; never pull on the cord itself. Operating the unit with a damaged power supply cord may cause a fire or electric shock.
- When moving the unit, be sure to remove its power supply cord from the wall outlet. Moving the unit with the power cord connected to the outlet may cause damage to the power cord, resulting in fire or electric shock. When removing the power cord, be sure to hold its plug to pull.

- Avoid installing the unit in humid or dusty locations, in locations exposed to the direct sunlight, near the heaters, or in locations generating sooty smoke or steam as doing otherwise may result in fire or electric shock.
- To avoid electric shocks, be sure to first turn off this unit's power switch when connecting speakers.
- The unit is designed exclusively to be mounted in an equipment rack. Be sure to follow the instructions below when rack-mounting the unit. Failure to do so may cause a fire or personal injury.
 - Install the equipment rack on a stable, hard floor. Fix it with anchor bolts or take other arrangements to prevent it from falling down.
 - The supplied rack-mounting screws can be used for the TOA equipment rack only. Do not use them for other racks.
 - When installing the unit in a rack other than that of TOA, be sure to use the screws with a diameter of over 5 mm and length of over 12 mm to mount the unit.
 - When connecting the unit's power cord to an AC outlet, use the AC outlet with current capacity allowable to the unit.

When the Unit is in Use

- Make sure to set all input level controls to ∞ (infinity) position before power is switched on. Loud noise produced when power is switched on with any of those controls set to the position other than ∞ position can impair hearing.
- Do not operate the unit for an extended period of time with the sound distorting. Doing so may cause the connected speakers to heat, resulting in a fire.
- Contact your TOA dealer as to the cleaning. If dust is allowed to accumulate in the unit over a long period of time, a fire or damage to the unit may result.
- If dust accumulates on the power supply plug or in the wall AC outlet, a fire may result. Clean it periodically. In addition, insert the plug in the wall outlet securely.
- Turn off this unit's power switch, and unplug the power supply plug from the AC outlet for safety purposes when cleaning or leaving the unit unused for 10 days or more. Doing otherwise may cause a fire or electric shock.

2. GENERAL DESCRIPTION

TOA's DA-550F Multichannel Power Amplifier features high power handling of 550 W x 4 channels (4 Ω output) or 350 W x 4 channels (8 Ω output) and durability. Besides, its channels 1 and 2, and 3 and 4 are made available for bridge connection individually, allowing it to be used as a 1,100 W (8 Ω) x 2 channels stereo amplifier or as a 3-channel amplifier comprised of 1,100 W (8 Ω) + 550 W (4 Ω) x 2 channels.

The DA-500FH Multichannel Power Amplifier features high power handling of 500 W (100 V line) x 4 channels (20 Ω output) and durability.

Their wide range of applications include stores and permanent sound systems.

3. FEATURES

- 2U rack mounting size*.
- Low power consumption and light weight.
- An input signal to Channel 1 can be routed to all channels, and the output level adjusted using the input level control for each channel.
- Electronically-balanced inputs.
- Input terminals employ removable terminal blocks and XLR type connectors to provide maximum connection ease.
- Equipped with the LED indicators that show the input/output status, etc.
- Built-in protection circuitry disconnects the power amplifier's output from the load when a short circuit, overload, or unusual temperature rise occurs.
- Equipped with the terminals used for internal information monitoring (power supply, protection status, and fan operation) and power ON/OFF control from external equipment.

* 1U size = 44.5 mm (reference size)

4. HANDLING PRECAUTIONS

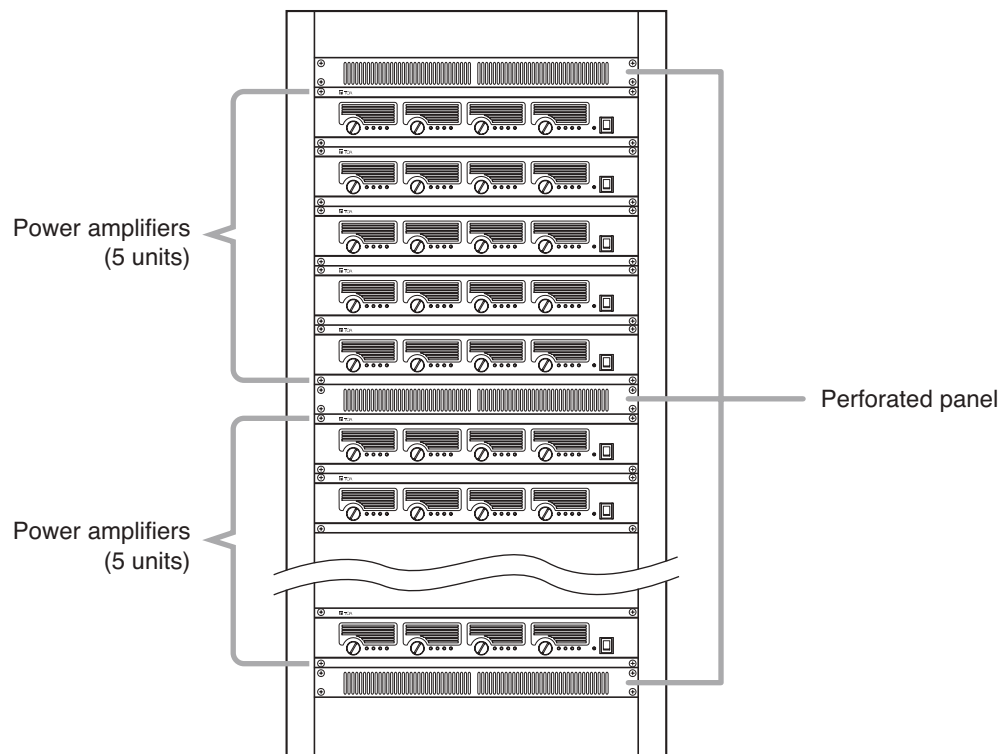
- Keep the input cable away from the output cable. If installed close to each other, oscillation could occur.
- To avoid unit failures, never connect outputs of 2 or more channels in parallel.
- Only connect speakers with an impedance equal to or greater than those specified. Connecting speakers with a smaller impedance than specified could cause damage to the unit.
- Periodically clean the filter located inside the ventilation panel on the unit's front panel. If the filter becomes clogged, heat will become trapped inside the enclosure.
- Install the unit in locations where the temperature is between -10°C and $+40^{\circ}\text{C}$ and the moisture is less than 90%RH (no dew condensation must be formed).
- To clean, be sure to first turn off this unit's power switch, then wipe with a dry cloth. When the unit gets very dirty, use a cloth damped in a neutral cleanser. Never use benzene, thinner, alcohol, or chemically-treated cleaning cloth because such volatile liquids could deform or discolor the unit.

5. INSTALLATION PRECAUTIONS

CAUTION

The supplied rack-mounting screws can be used for the TOA equipment rack only. Do not use them for other racks. When installing the unit in a rack other than that of TOA, be sure to use the screws with a diameter of over 5 mm and length of over 12 mm to mount the unit. Failure to do so may cause personal injury.

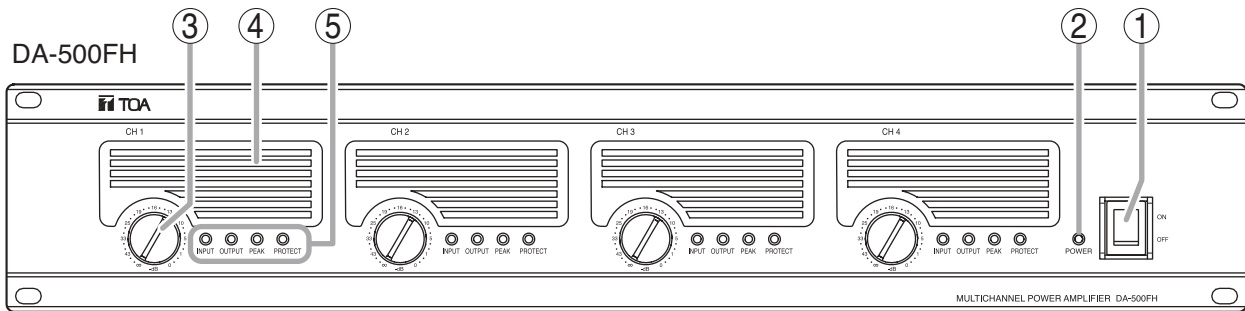
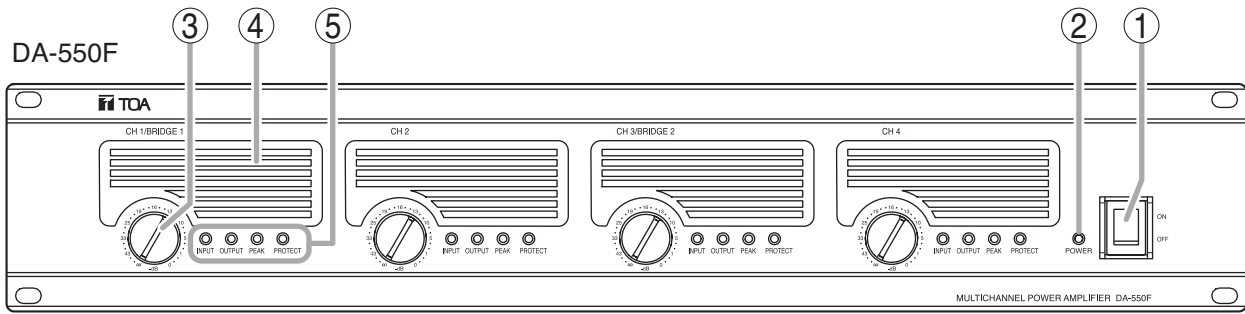
- The supplied power supply cord is designed for exclusive use with this unit. Never use it with other equipment.
- When mounting the unit in an equipment rack, the inside of the rack must be sufficiently ventilated. To achieve sufficient ventilation, remove all panels on the rear of the rack.
- When mounting the unit in the rack, also mount a Perforated Panel larger than 1U in size*:
 - (1) at the top and the bottom of the rack, and
 - (2) above and below every 5 units.



* 1U size = 44.5 mm (reference size)

6. NOMENCLATURE AND FUNCTIONS

[Front]



1. Power switch [ON/OFF]

Turning this switch on causes the amplifier to function, and turning it off causes the amplifier to cease function.

Note: The unit is not completely disconnected from the power supply even if this Power switch is turned off.

2. Power indicator [POWER]

Lights blue when the Power switch (1) is turned on.

3. Input level controls

[CH 1 (BRIDGE 1), CH 2, CH 3 (BRIDGE 2), CH 4]

Adjust the input level of each channel.

Turn the control clockwise to increase the input level and counterclockwise to decrease the level.

When a bridge connection is made (DA-550F only)

- When Channels 1 and 2 are bridge-connected (BRIDGE 1 ON/OFF switch (10) is set to ON), the CH 1/BRIDGE 1 level control adjusts the input levels of Channels 1 and 2. In this event, the CH 2 level control cannot be used.
- When Channels 3 and 4 are bridge-connected (BRIDGE 2 ON/OFF switch (10) is set to ON), the CH 3/BRIDGE 2 level control adjusts the input levels of Channels 3 and 4. In this event, the CH 4 level control cannot be used.

4. Ventilation panel (Air Vent)

A filter is located inside the ventilation panel. To clean the filter, remove the ventilation panel. (See p. 13; Cleaning the Filter.)

5. Indicators [INPUT, OUTPUT, PEAK, PROTECT]

The indicators are as follows from left to right:

• Input indicator [INPUT]

Lights green regardless of the input level control setting when an input signal level exceeds about -20 dB.

• Output indicator [OUTPUT]

Lights yellow when an output level exceeds about 1 W at an 8 Ω load (DA-550F) or 20 Ω load (DA-500FH).

• Peak indicator [PEAK]

Lights red when an output signal clips (distortion occurs).

Note

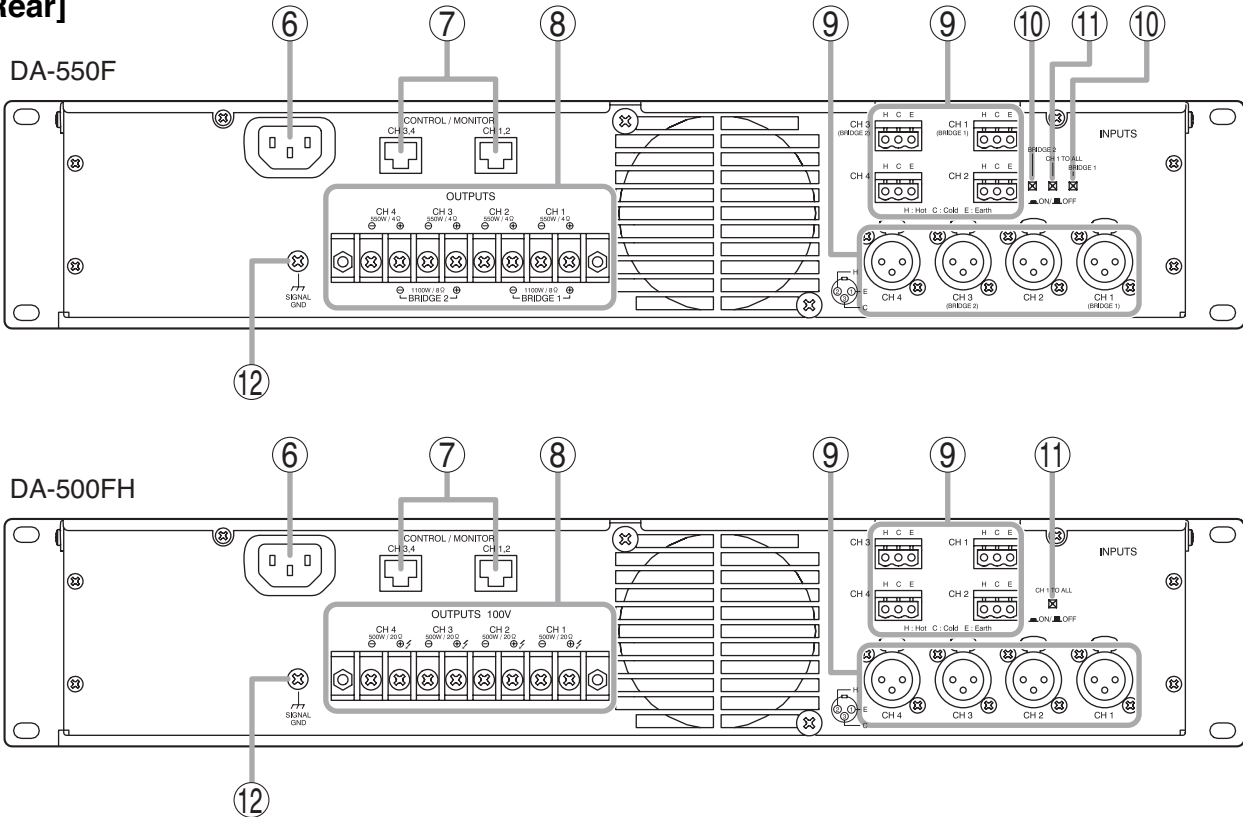
When the Peak indicator lights, turn the input level control (3) counterclockwise until its light extinguishes or decrease the input signal level of the connected external device.

Operating the unit while the Peak indicator remains lit may cause the protection circuitry to be activated.

• Protection indicator [PROTECT]

Lights red when the protection circuitry is activated. (See p. 12; Protection Operation List.) When the power is switched on, this indicator lights for about 2 seconds and then extinguishes.

[Rear]



6. AC inlet

Connect the supplied power cord to this inlet. The socket-outlet shall be installed near the equipment and the plug (disconnecting device) shall be easily accessible.

7. Control/Monitor terminals [CONTROL/MONITOR]

Connecting external equipment to these terminals makes the control and monitor functions available for channels 1 – 4 individually. (See p.15; How to Use the Control/Monitor Terminals.)

8. Speaker output terminals (with a terminal cover) [OUTPUTS (DA-550F), OUTPUTS 100 V (DA-500FH)]

Connect speaker cables to these terminals.

9. Input terminals [INPUTS]

Electronically-balanced input terminals. Each removable terminal block (3 pins) is internally connected in parallel to the corresponding XLR type connector.

- **Removable terminal block (3 pins)**
H: Hot, C: Cold, E: Earth
- **XLR type male connector (XLR-3-31 equivalent)**
Pin 1: Earth, Pin 2: Hot, Pin 3: Cold

Caution when using an XLR type plug

If a straight plug hits the rack's rear cover or wall behind the rack when it is used for connection, use the L-shaped plug instead.

10. BRIDGE ON/OFF switches (DA-550F only) [BRIDGE 1, BRIDGE 2, ON / OFF]

Used when bridge-connecting the unit's Channels 1 and 2, and Channels 3 and 4. (See p. 8; Settings and Connections.)

• 4-channel output mode

Set both BRIDGE 1 and 2 switches to OFF. (factory-preset)

• 3-channel output mode

Set either BRIDGE 1 or 2 switches to ON. When bridge-connecting Channels 1 and 2, set BRIDGE 1 switches to ON, and BRIDGE 2 switches to ON when bridge-connecting Channels 3 and 4.

• 2-channel output mode

Set both BRIDGE 1 and 2 switches to ON.

Note

Be sure to first turn off the Power switch (1) when changing these switch settings.

11. CH 1 mode ON/OFF switch [CH 1 TO ALL, ON / OFF]

Setting this switch to ON transmits the Channel 1 input signal to all channels. (CH1 to All ch mode) Note that output signal levels can be individually adjusted with each channel's Input level control (3).

Setting this switch to OFF (factory-preset) transmits each channel's input signal to each corresponding channel. (Each ch mode)

Note

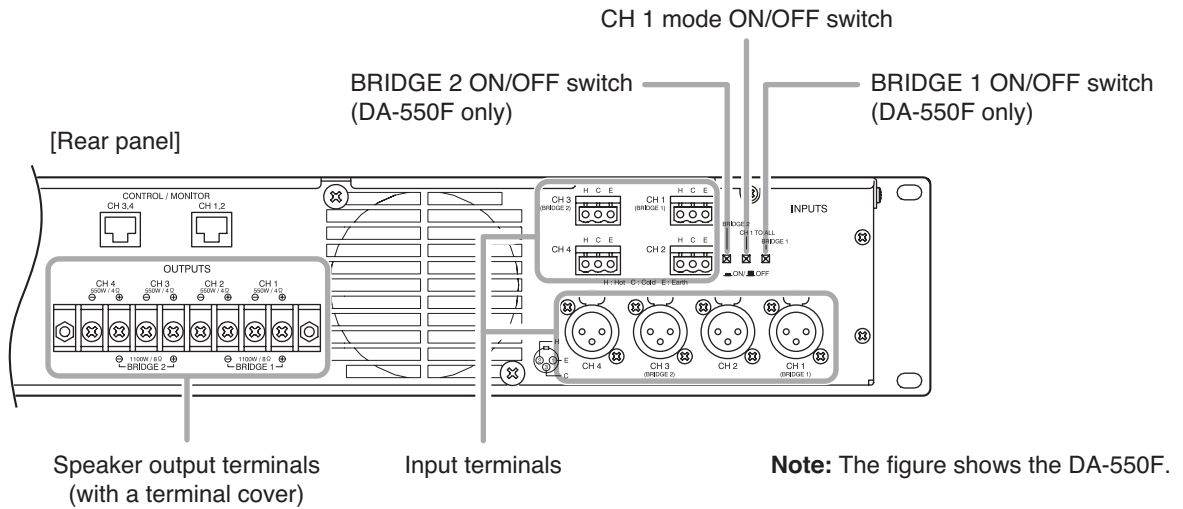
Be sure to first turn off the Power switch (1) when changing this switch setting.

12. Functional ground terminal [SIGNAL GND]

Hum noise may be generated when external equipment is connected to the unit. Connecting this terminal to the functional ground terminal of the external equipment may reduce the hum noise.

Note: This terminal is not for protective earth.

7. SETTINGS AND CONNECTIONS



Step 1. Turn off this unit's Power switch.

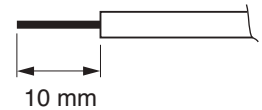
Step 2. Set the BRIDGE ON/OFF switches (DA-550F only) and CH 1 mode ON/OFF switch.

Step 3. Connect the sound source equipment to the Input terminals.

Note: Refer to p. 11 for the removable terminal plug connection.

Step 4. Connect speakers to the Speaker output terminals.

- 4-1. Unscrew the output terminal cover.
- 4-2. Strip 10 mm of insulative jacket from the end of the speaker cable, as shown in the figure at right.
- 4-3. Connect speaker cables to the output terminals.
- 4-4. Replace the output terminal cover in place.



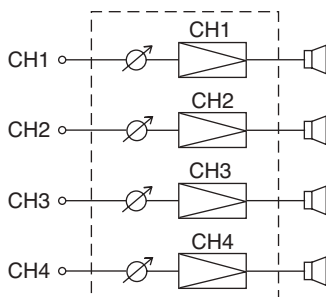
! WARNING

Be sure to replace the unit's terminal cover after connection completion. Because high voltage is generated at the speaker output terminals, never touch these terminals to avoid electric shock. (DA-500FH only)

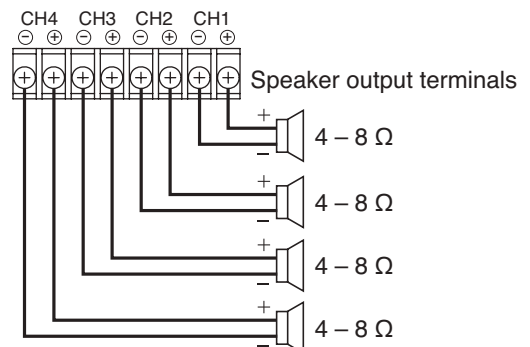
7.1. Switch Settings and Speaker Connections

7.1.1. When using the DA-550F

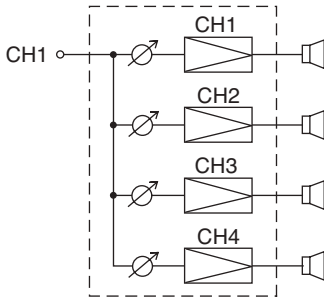
[4 inputs - 4 outputs] (factory-preset)



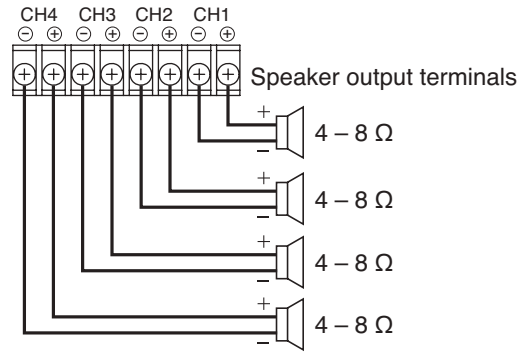
Switch	Setting
BRIDGE 1	OFF
BRIDGE 2	OFF
CH 1 mode	OFF



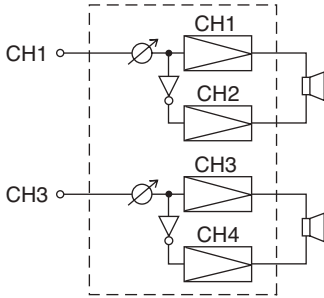
[1 input - 4 outputs]



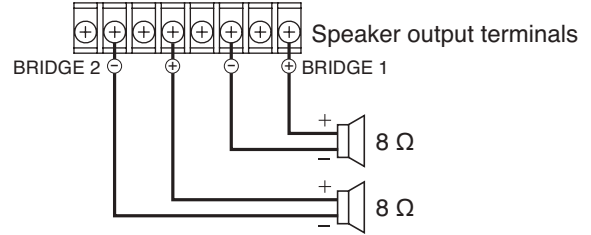
Switch	Setting
BRIDGE 1	OFF
BRIDGE 2	OFF
CH 1 mode	ON



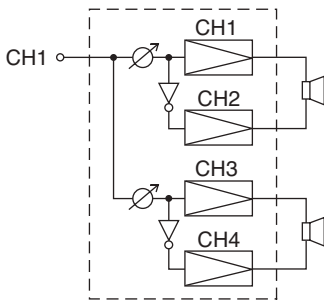
[2 inputs - 2 outputs]



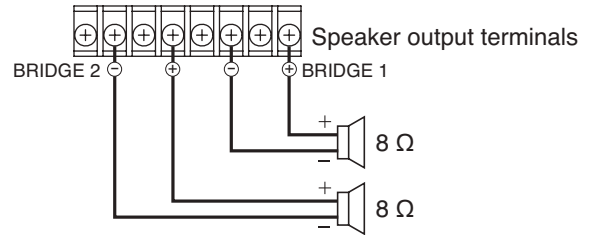
Switch	Setting
BRIDGE 1	ON
BRIDGE 2	ON
CH 1 mode	OFF



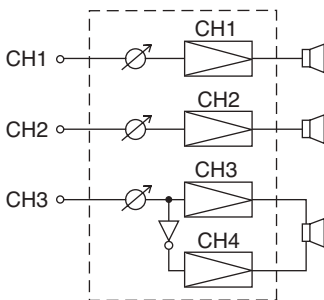
[1 input - 2 outputs]



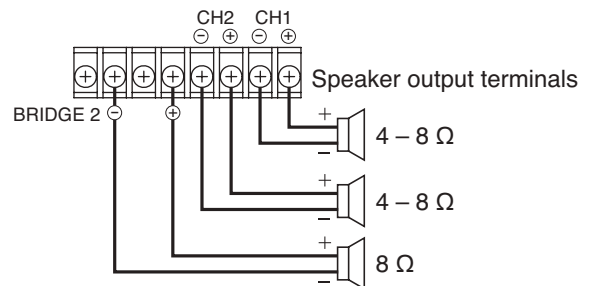
Switch	Setting
BRIDGE 1	ON
BRIDGE 2	ON
CH 1 mode	ON



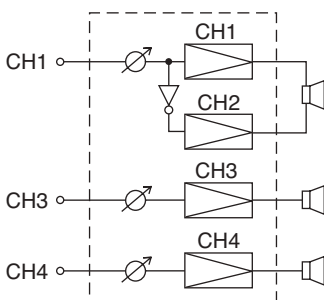
[3 inputs - 3 outputs (1)]



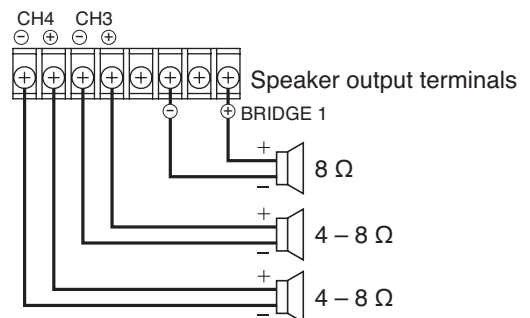
Switch	Setting
BRIDGE 1	OFF
BRIDGE 2	ON
CH 1 mode	OFF



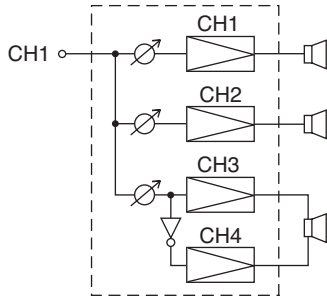
[3 inputs - 3 outputs (2)]



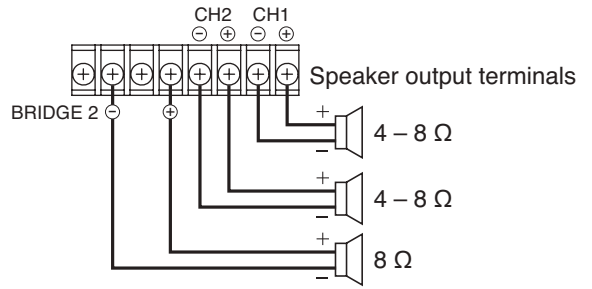
Switch	Setting
BRIDGE 1	ON
BRIDGE 2	OFF
CH 1 mode	OFF



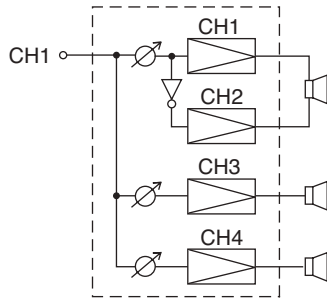
[1 input - 3 outputs (1)]



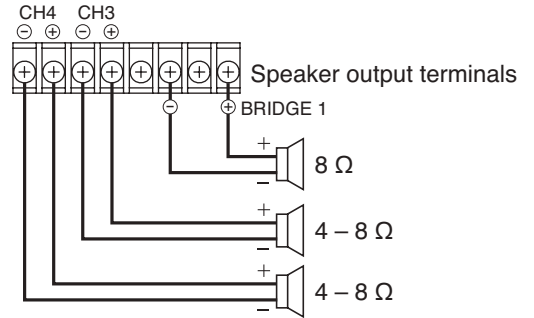
Switch	Setting
BRIDGE 1	OFF
BRIDGE 2	ON
CH 1 mode	ON



[1 input - 3 outputs (2)]

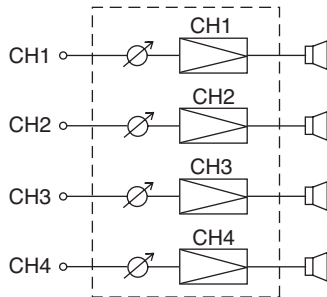


Switch	Setting
BRIDGE 1	ON
BRIDGE 2	OFF
CH 1 mode	ON

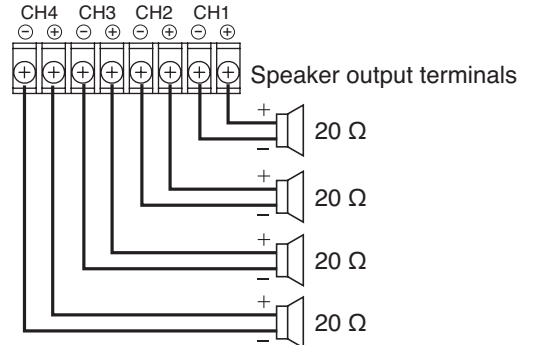


7.1.2. When using the DA-500FH

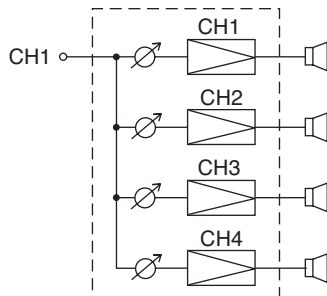
[4 inputs - 4 outputs] (factory-preset)



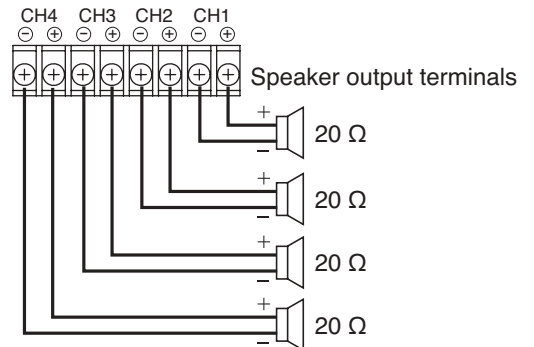
Switch	Setting
CH 1 mode	OFF



[1 input - 4 outputs]



Switch	Setting
CH 1 mode	ON

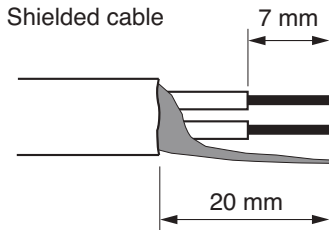


8. REMOVABLE TERMINAL PLUG CONNECTION

Cautions

- Be sure to use shielded cables for audio signal lines.
- Avoid soldering cable conductor, as contact resistance may increase when the cable is tightened and the solder is crushed, possibly resulting in an excessive rise in joint temperatures.
- Use cables of AWG 12 – 24.

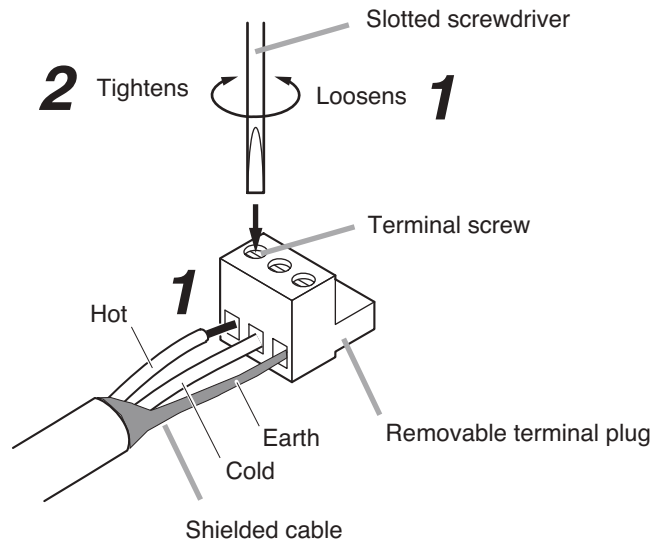
Cable end treatment



Connector connections

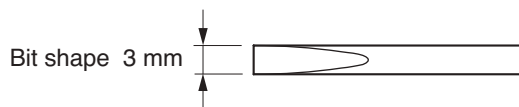
Step 1. Loosen the terminal screw, then insert the cable.

Step 2. Retighten the terminal screw. (Pull on the cable to ensure it is securely connected.)



Tip

Recommended slotted screwdriver type: Screwdriver with blade that is 3 mm in width

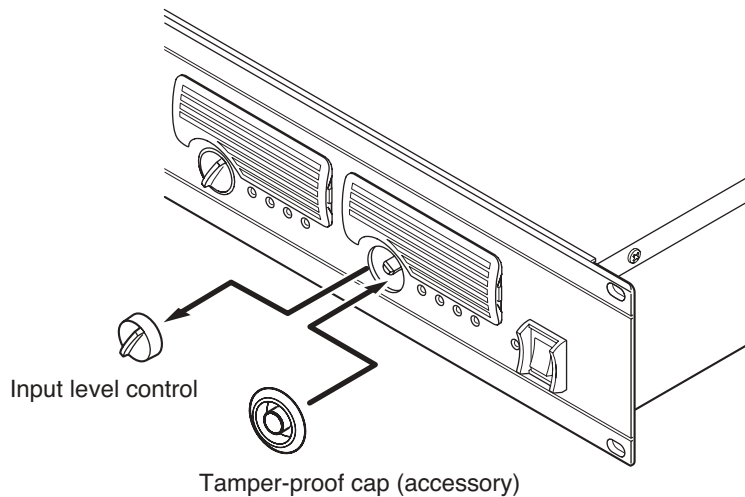


9. PROTECTION OPERATION LIST

Failure	Protection	Operation Indicator	Remedy	Recovery
Overcurrent due to overload	Current limiter activated when impedance drops below the specified value.	Peak indicator lights.	Remove overload.	Connecting a correct load automatically restores normal operation.
Short circuit	Current limiter activated. Load is disconnected.	Protection indicator lights.	Check speakers and lines for short circuit.	Turn off this unit's Power switch. Correct the load, then turn on the power.
Temperature rise at power amp. heat sink (over 100°C)	Load disconnected.	Protection indicator lights.	Check the unit for correct ventilation and overload.	Operation automatically returns to normal when the temperature decreases.
Temperature rise at power supply heat sink (over 80°C)	Built-in amplifier unit that caused the failure halted.	Four indicators of the corresponding channel extinguish.		
Abnormal DC voltage output	Load disconnected.	Protection indicator lights.	Contact the TOA dealer where the unit was purchased.	

10. TAMPER-PROOF CAP ATTACHMENT

To protect the input level control from accidental operation, it is recommended to replace the control knob with the supplied tamper-proof cap as illustrated.



11. CLEANING THE FILTER

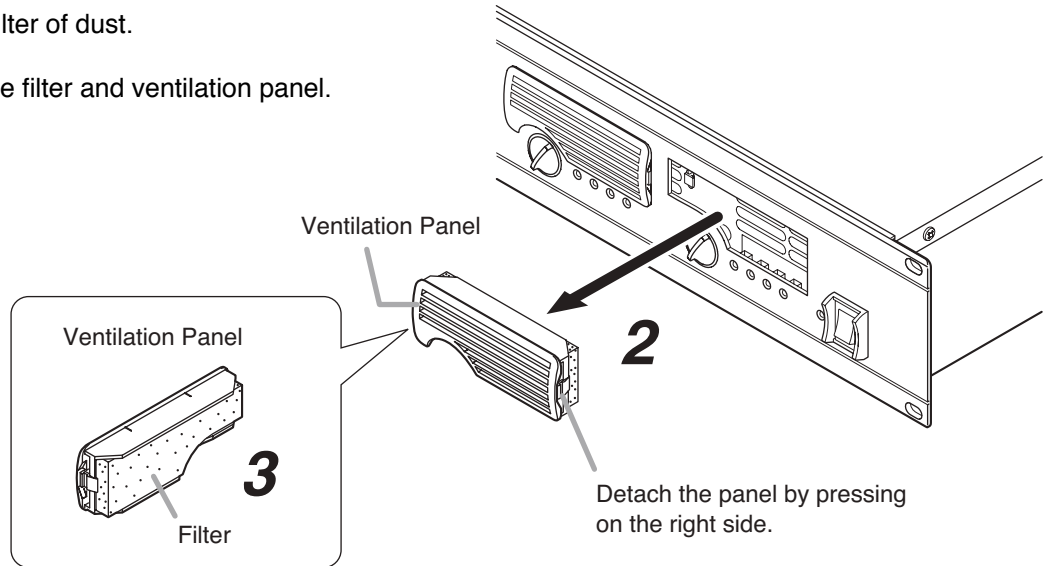
Step 1. Turn off this unit's Power switch.

Step 2. Remove the ventilation panel as shown in the figure.

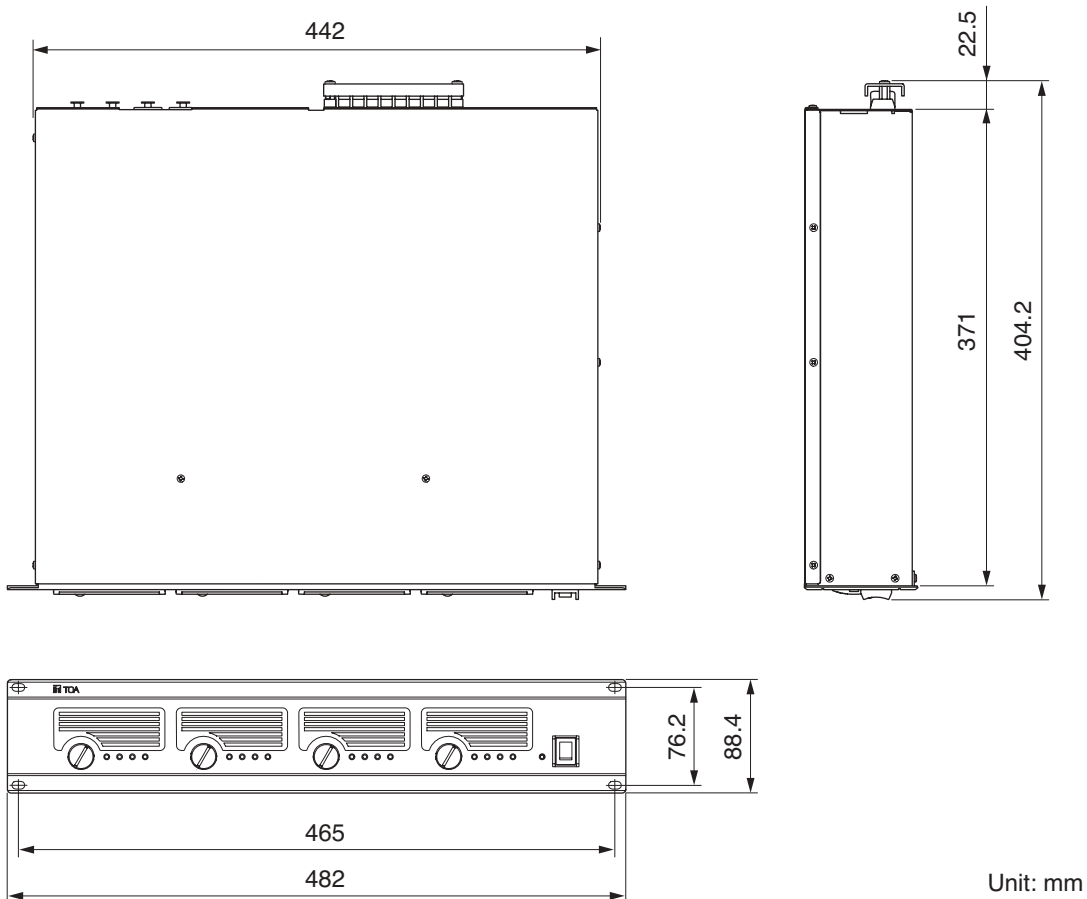
Step 3. Detach the filter inside the ventilation panel.

Step 4. Clear the filter of dust.

Step 5. Replace the filter and ventilation panel.



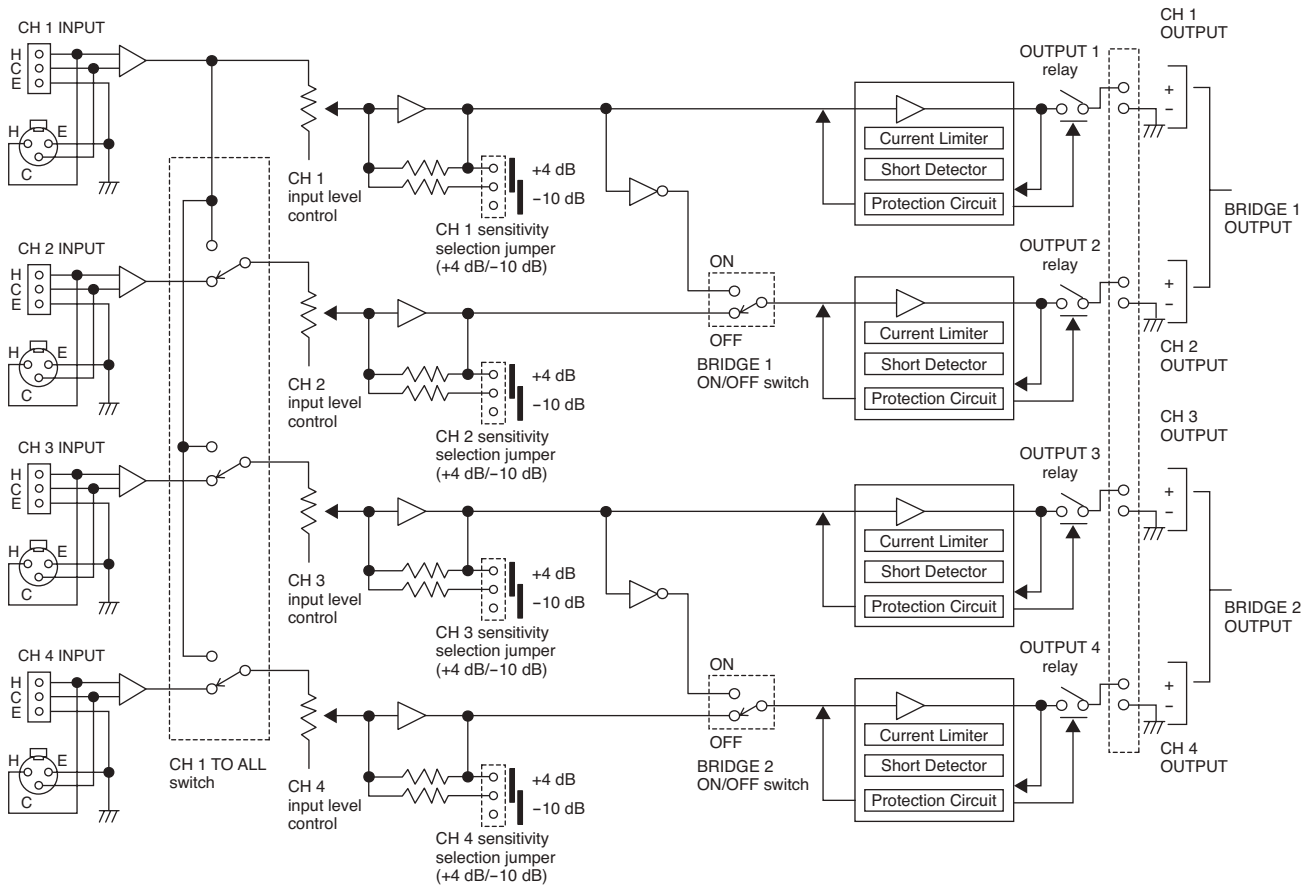
12. DIMENSIONAL DIAGRAM



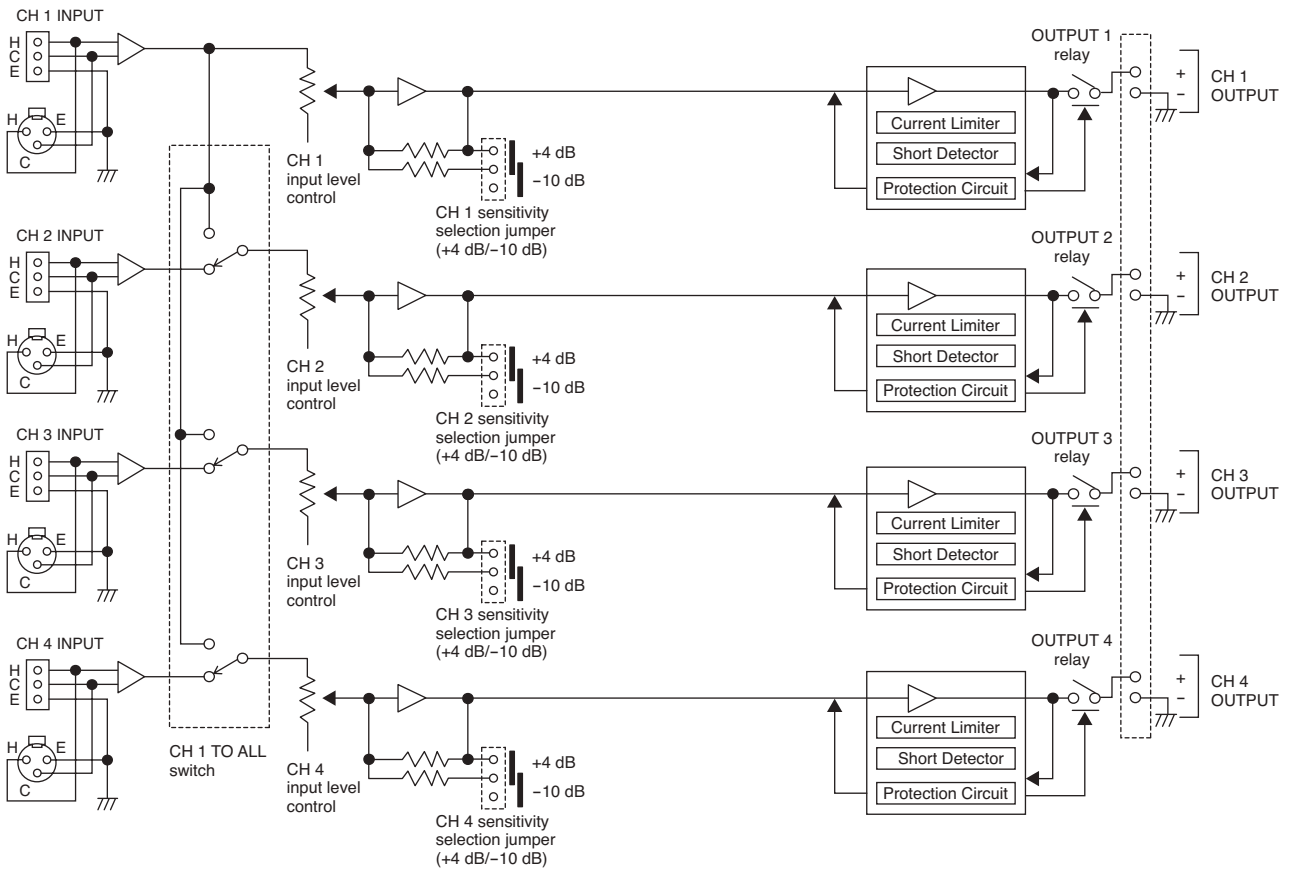
Unit: mm

13. BLOCK DIAGRAMS

13.1. DA-550F



13.2. DA-500FH



14. HOW TO USE THE CONTROL/MONITOR TERMINALS

The Control/Monitor terminals on the rear panel permit power ON/OFF control of the individual channels and monitoring for the power ON/OFF status and protection status on each channel, and fan operation status. Prepare the control panel and status monitor display panel separately referring to the descriptions below.

Notes

- All terminals are electrically isolated from the unit body with the photocouplers.
- A shielded wire of the connection cable is grounded to the unit chassis.

14.1. Control Terminal (Input)

While the unit's power switch is turned ON, each individual channel's power can be turned ON and OFF from the distant location using this terminal. The power indicator extinguishes only when the all channels' powers are turned off, but otherwise remains lit.

Using the power supply, which you need to prepare separately, perform the control by applying DC voltage to the control terminal.

This terminal is a photocoupler input, and requires max. 8 mA per control. Note the power capacity of the power supply.

Control voltages are as follows.

Control voltage (Vin)	Power ON/OFF status on each channel
0 – 3 V DC	ON
9 – 14 V DC	OFF

Terminal pin No.

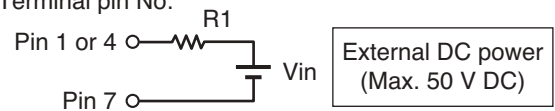


When controlling the control terminal with a power supply of 14 V DC or more, connect the specified resistance referring to the table below.

Note: The use of the resistance other than those specified may cause unit failure.

Control voltage (Vin)	R1 resistance value (rated power)
14 V to under 20 V DC	1 k Ω (0.1 W or more)
20 V to under 30 V DC	3.3 k Ω (0.25 W or more)
30 V to under 50 V DC	5.6 k Ω (0.5 W or more)

Terminal pin No.



14.2. Monitor Terminal (Output)

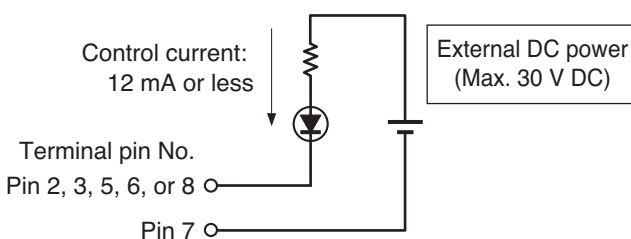
Indicators on the externally-connected device (status monitor display panel) or relays can be turned on and off in response to the power ON/OFF status, protection status, and fan operation status from the distant location using this terminal.

This monitor terminal is a photocoupler open-collector output terminal. Note that it is rated at withstand voltages of 30 V DC and control current of 12 mA or less when ON.

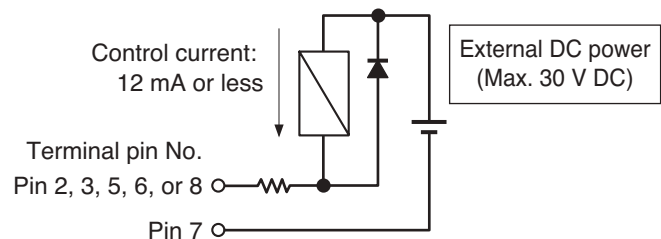
At the time of circuit design, consider the control current assuming that 1 V appears at the monitor terminal when ON.

[Example of a circuit]

When an LED is used



When a relay is used



Note

Be sure to connect a diode across the relay in the direction as shown above when connecting to the external relay.

14.3. About Pin 7 of the Control/Monitor Terminals

A ground common to all the control and monitor terminals is assigned to Pin 7.

Both Pins 7 of the Control/Monitor terminal for CH1 and CH2, and that for CH 3 and CH4 are internally connected to each other.

Pins 7 are isolated from the unit body.

14.4. Terminal Pin Arrangement

Terminal	Pin No.	Pin name	Unit operation status	
			HI-LEVEL	LO-LEVEL
CH1, 2	①	CH1 power ON/OFF control (input)	CH1 power OFF	CH1 power ON
	②	CH1 protection status (output)	CH1 normal	CH1 protection activated (irregular)
	③	CH1 power ON/OFF status (output)	CH1 power OFF	CH1 power ON
	④	CH2 power ON/OFF control (input)	CH2 power OFF	CH2 power ON
	⑤	CH2 protection status (output)	CH2 normal	CH2 protection activated (irregular)
	⑥	CH2 power ON/OFF status (output)	CH2 power OFF	CH2 power ON
	⑦	GND (input/output)	—	—
	⑧	Fan operation status (output)	Fan stop (irregular)	Normal
CH3, 4	①	CH3 power ON/OFF control (input)	CH3 power OFF	CH3 power ON
	②	CH3 protection status (output)	CH3 normal	CH3 protection activated (irregular)
	③	CH3 power ON/OFF status (output)	CH3 power OFF	CH3 power ON
	④	CH4 power ON/OFF control (input)	CH4 power OFF	CH4 power ON
	⑤	CH4 protection status (output)	CH4 normal	CH4 protection activated (irregular)
	⑥	CH4 power ON/OFF status (output)	CH4 power OFF	CH4 power ON
	⑦	GND (input/output)	—	—
	⑧	Fan operation status (output)	Fan stop (irregular)	Normal

- About operation and terminal status

	HI-LEVEL	LO-LEVEL
Control terminal (input)	9 – 14 V DC	0 – 3 V DC
Monitor terminal (output)	OFF	ON

- The same information is output from both Pins 8 (fan status output) of the CH1 and CH2 terminal, and the CH3 and CH4 terminal.
- Lighting status of the protection indicator on the front panel matches operation of protection status provided at the monitor terminal.

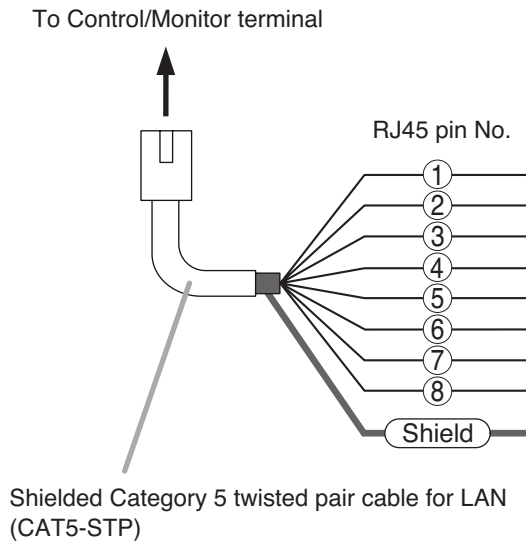
Protection indicator (front panel)	Light off	Light on
Protection status (output)	OFF	ON

14.5. Connection Cable and Maximum Cable Length

For the connection cable, use a Shielded Category 5 twisted pair cable for LAN (CAT5-STP).

The maximum cable length is 600 m.

14.6. RJ45 Connector's Pin Arrangement and Cable Color Codes



RJ45 pin No.	Cable color (for T568B)	Cable color (for T568A)
①	Orange/white	Green/white
②	Orange	Green
③	Green/white	Orange/white
④	Blue	Blue
⑤	Blue/white	Blue/white
⑥	Green	Orange
⑦	Brown/white	Brown/white
⑧	Brown	Brown
Shield	—	—

15. SPECIFICATIONS

15.1. DA-550F CE

Power Source	220 – 240 V AC, 50/60 Hz
Amplification system	Class D
Power Consumption	480 W (based on EN standards), 2750 W (rated output 4 Ω x 4), 1550 W (rated output 8 Ω x 4)
Input	4 circuits, +4 dB* (1.23 V, input level control in maximum position), 10 k Ω , electronically-balanced, removable terminal block (3 pins), XLR-3-31 type connector CH 1 mode ON/OFF switch (ON: CH 1 to All ch, OFF: Each ch)
Rated Output	4 channels: 550 W x 4 (4 Ω), 350 W x 4 (8 Ω) 2 channels (BRIDGE): 1,100 W x 2 (8 Ω) M4 screw terminal, distance between barriers: 8.8 mm
Frequency Response	20 – 20,000 Hz (-2 dB, +1 dB)
Total Harmonic Distortion	0.1% (1 kHz), 0.15% (20 – 20,000 Hz)
Protection circuit	Protection against excessive current flow due to overload, short circuit, unusual DC voltage output, temperature rise at power amp. heat sink (over 100°C), temperature rise at power supply heat sink (over 80°C)
S/N Ratio	100 dB (A-weighted)
Crosstalk	70 dB (A-weighted)
Control/Monitor	Control input: Power ON/OFF status of the individual channels Photocoupler input drive voltage: 9 V DC (Min) – 14 V (Max), 12 V (Typ) Monitor output: Power ON/OFF status of the individual channels, Protection status of the individual channels, Fan operation status Photocoupler open collector output withstand voltage: 30 V DC control current: under 12 mA Connector: RJ45 connector x 2 Connection cable: Shielded Category 5 twisted pair cable for LAN (CAT5-STP) Maximum cable distance: 600 m
LED Indicator	Power (blue) x 1, Input (green) x 4, Output (yellow) x 4, Peak (red) x 4, Protect (red) x 4
Cooling	Forced air cooling
Operating Temperature	-10°C to +40°C
Operating Humidity	Under 90% RH (no condensation)
Finish	Panel: Aluminum, black, alumite Case: Plated steel sheet
Dimensions	482 (w) x 88.4 (h) x 404.2 (d) mm
Weight	9 kg

* 0 dB = 0.775 V

Note: The design and specifications are subject to change without notice for improvement.

• Accessories

Power cord (2 m)	1
Removable terminal plug (3 pins)	4
Rack mounting screw (with plain washer) 5 x 12	4
Tamper-proof cap	4

15.2. DA-500FH CE

Power Source	220 – 240 V AC, 50/60 Hz
Amplification system	Class D
Power Consumption	460 W (based on EN standards), 2350 W (rated output 100 V line, 20 Ω x 4)
Input	4 circuits, +4 dB* (1.23 V, input level control in maximum position), 10 kΩ, electronically-balanced, Removable terminal block (3 pins), XLR-3-31 type connector CH 1 mode ON/OFF switch (ON: CH 1 to All ch, OFF: Each ch)
Rated Output	4 channels: 500 W x 4 (100 V line, 20 Ω) M4 screw terminal, distance between barriers: 8.8 mm
Frequency Response	50 – 20,000 Hz (–3 dB, +1 dB)
Total Harmonic Distortion	0.1% (1 kHz), 0.3% (100 – 20,000 Hz)
Protection circuit	Protection against excessive current flow due to overload, short circuit, unusual DC voltage output temperature rise at power amp. heat sink (over 100°C), temperature rise at power supply heat sink (over 80°C)
S/N Ratio	100 dB (A-weighted)
Crosstalk	70 dB (A-weighted)
Control/Monitor	Control input: Power ON/OFF status of the individual channels Photocoupler input drive voltage: 9 V DC (Min) – 14 V (Max), 12 V (Typ) Monitor output: Power ON/OFF status of the individual channels, Protection status of the individual channels, Fan operation status Photocoupler open collector output withstand voltage: 30 V DC control current: under 12 mA Connector: RJ45 connector x 2 Connection cable: Shielded Category 5 twisted pair cable for LAN (CAT5-STP) Maximum cable distance: 600 m
LED Indicator	Power (blue) x 1, Input (green) x 4, Output (yellow) x 4, Peak (red) x 4, Protect (red) x 4
Cooling	Forced air cooling
Operating Temperature	–10°C to +40°C
Operating Humidity	Under 90% RH (no condensation)
Finish	Panel: Aluminum, black, alumite Case: Plated steel sheet
Dimensions	482 (w) x 88.4 (h) x 404.2 (d) mm
Weight	9 kg

* 0 dB = 0.775 V

Note: The design and specifications are subject to change without notice for improvement.

• Accessories

Power cord (2 m)	1
Removable terminal plug (3 pins)	4
Rack mounting screw (with plain washer) 5 x 12	4
Tamper-proof cap	4

Traceability Information for Europe (EMC directive 2004/108/EC)

Manufacturer:

TOA Corporation
7-2-1, Minatojima Nakamachi, Chuo-ku, Kobe, Hyogo,
Japan

Authorized representative:

TOA Electronics Europe GmbH
Suederstrasse 282, 20537 Hamburg,
Germany



TOA Corporation

URL: <http://www.toa.jp/>

133-22-103-1A