

# Technical Manual



# JBL4728 BI-RADIAL™ STAGE MONITOR SPEAKER SYSTEM

## SPECIFICATIONS

### ACOUSTIC & ELECTRICAL SPECIFICATIONS:

- Nominal Impedance: 8 ohm L.F., 16 ohm H.F.
- Power Rating: Continuous Program: 300W L.F.  
Continuous Program: 70W H.F.
- Frequency Response: 70 Hz to 17.5 kHz ( $\pm 3$  dB)
- Sensitivity: 95 dB SPL\*
- Crossover Frequencies: 1200 Hz

### SYSTEM COMPONENTS: (cont'd)

- High Frequency Transducer: 25mm (1 in.) Pure Titanium Diaphragm Compression Driver (2426J)
- Crossover Network: N4728 - N4728P

### PHYSICAL SPECIFICATIONS:

- Enclosure Dimensions: 646mm x 438mm x 302mm D  
(25.43 x 17.25 x 11.81 in. D)
- Shipping Weight: 48 lbs. (22 kg)

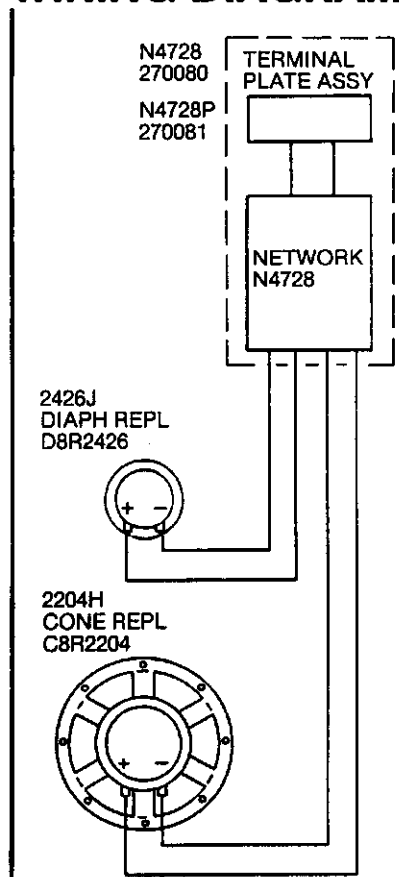
### SYSTEM COMPONENTS:

- Cabinet: C4728
  - Grille: G4728
  - Low Frequency Transducer: 300mm (12 in.) Cone Transducer (2204H)
- \*1 Watt (2.83 V RMS) @ 1 Meter

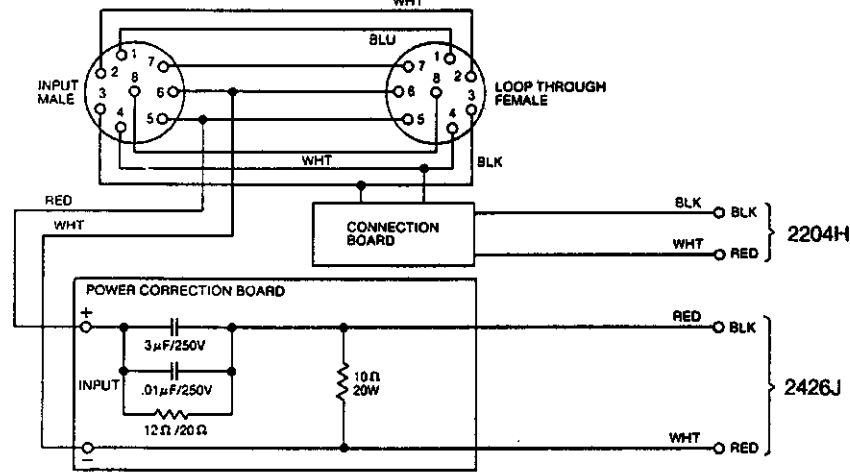
### WARRANTY INFORMATION:

- Refer to the Warranty Statement packed with each product.

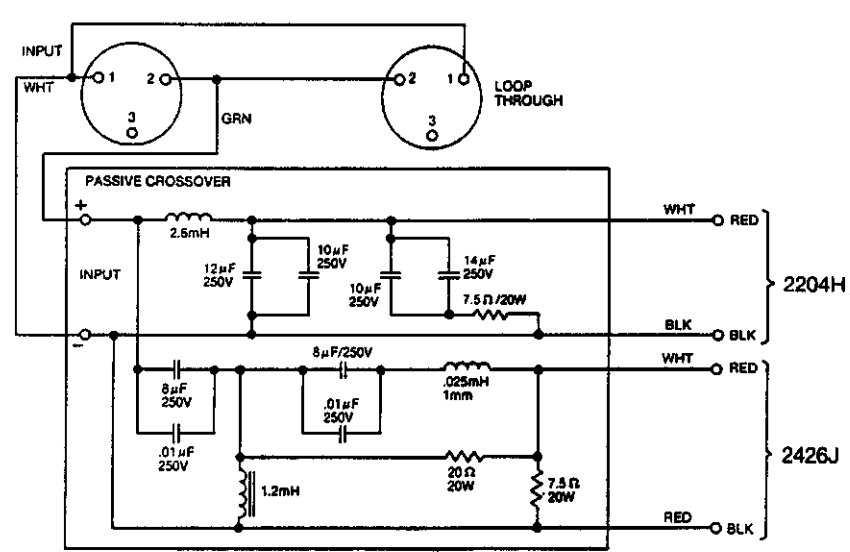
## WIRING DIAGRAM



### N4728 WIRING SCHEMATIC



### 4728P WIRING SCHEMATIC, PASSIVE CROSSOVER



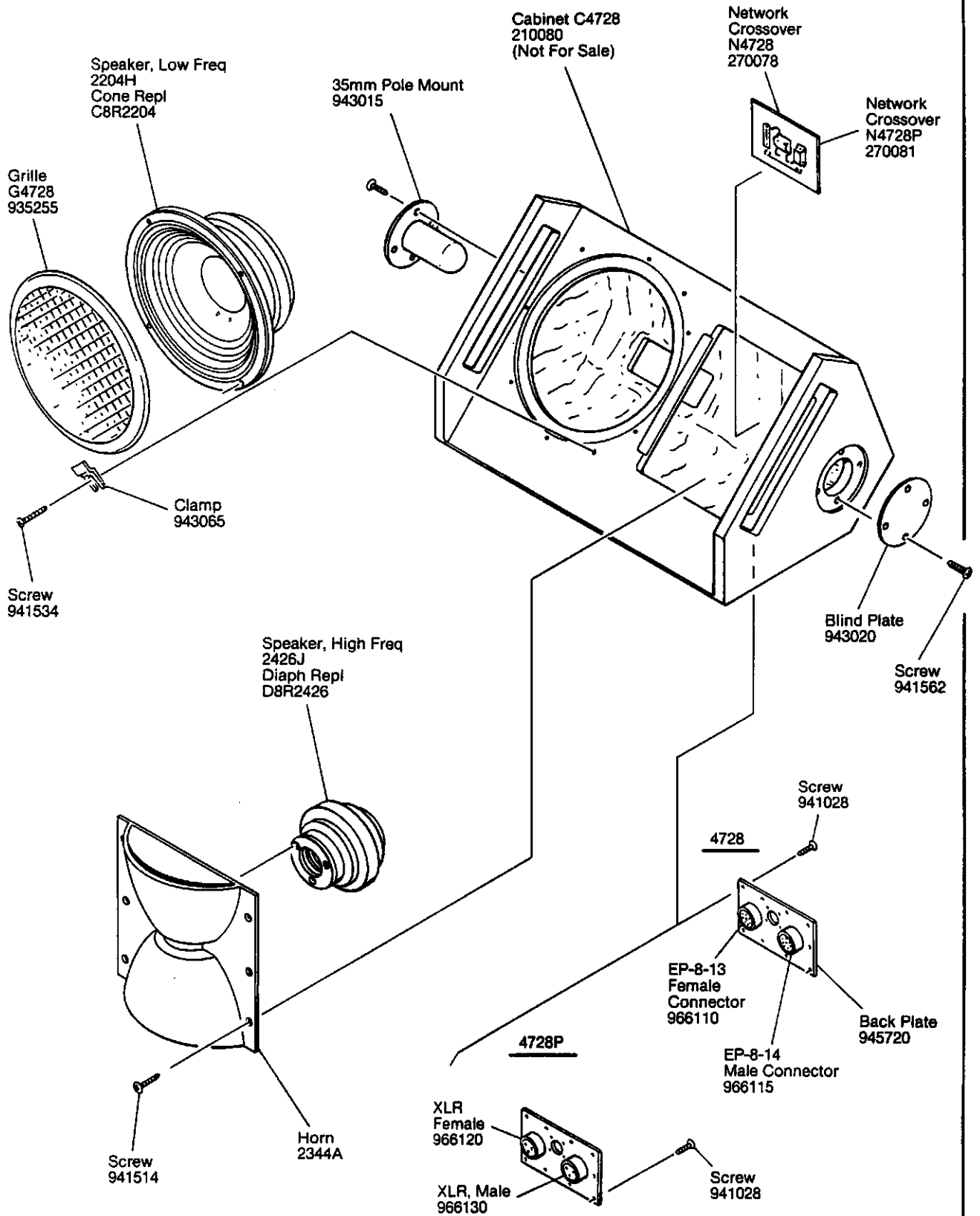
## PACKAGE

Carton 981820  
End Pad 983215

JBL4728 REV A

# JBL4728

## COMPONENT EXPLODED VIEW



JBL4728