

# Technical Manual



# JBL4770 HIGH POWER TWO-WAY FULL-RANGE SYSTEM

## SPECIFICATIONS

### ACOUSTIC & ELECTRICAL SPECIFICATIONS:

- Nominal Impedance: 4 ohm L.F., 16 ohm H.F.
- Power Rating: Continuous Program: 800W L.F.  
Continuous Program: 150W H.F.
- Frequency Response: 40 Hz to 16 kHz ( $\pm 3$  dB)
- Sensitivity: 100 dB L.F., 112 dB H.F. SPL\*
- Crossover Frequencies: 800 Hz, 7 kHz, 40 Hz

### SYSTEM COMPONENTS: (cont'd)

- High Frequency Transducer: 125mm (4 in.) Pure Titanium Diaphragm Compression Driver (2245J)
- Crossover Network: N4770

### PHYSICAL SPECIFICATIONS:

- Enclosure Dimensions: 1250mm x 750mm x 533mm D (49.18 x 29.5 x 23.0 in. D)
- Shipping Weight: 242 lbs. (110 kg)

### SYSTEM COMPONENTS:

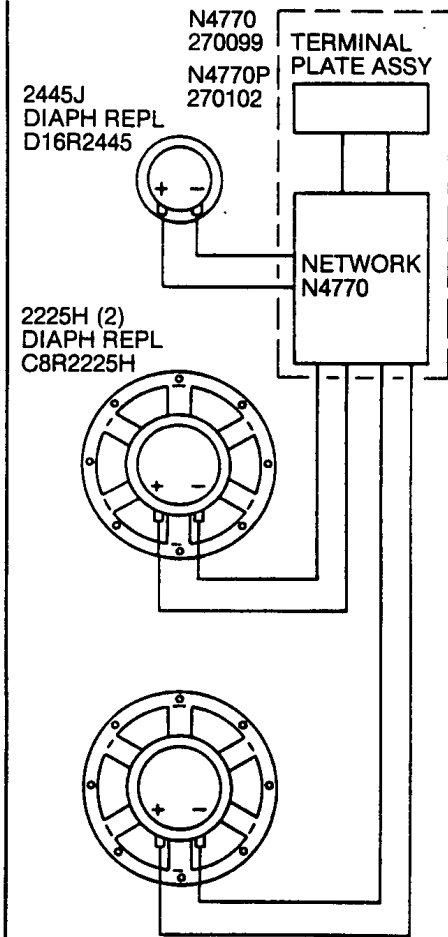
- Cabinet: C4770
- Grille: G4770
- Low Frequency Transducer: 380mm (15 in.) Cone Transducer (2225H) (2)

### WARRANTY INFORMATION:

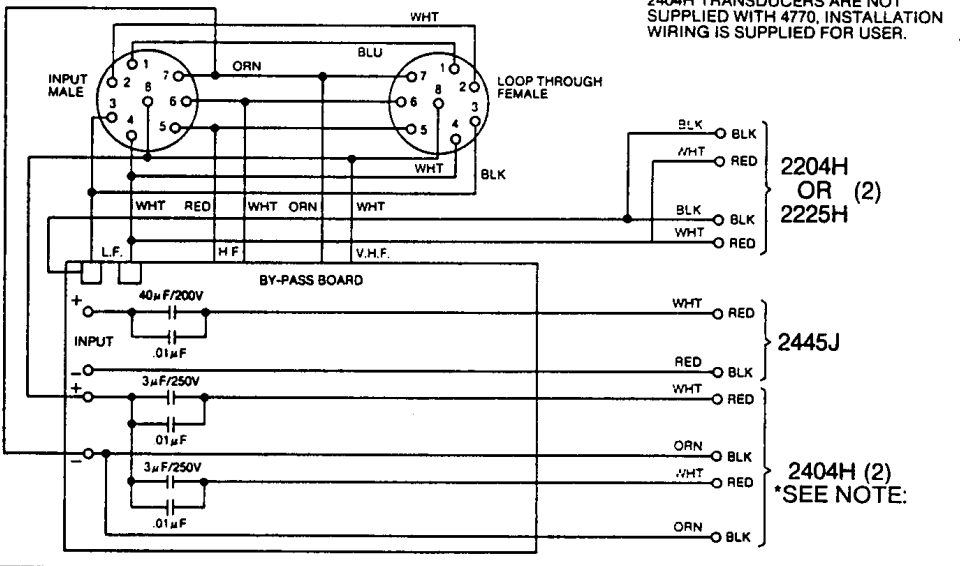
- Refer to the Warranty Statement packed with each product.

\*1 Watt (2.83 V RMS) @ 1 Meter

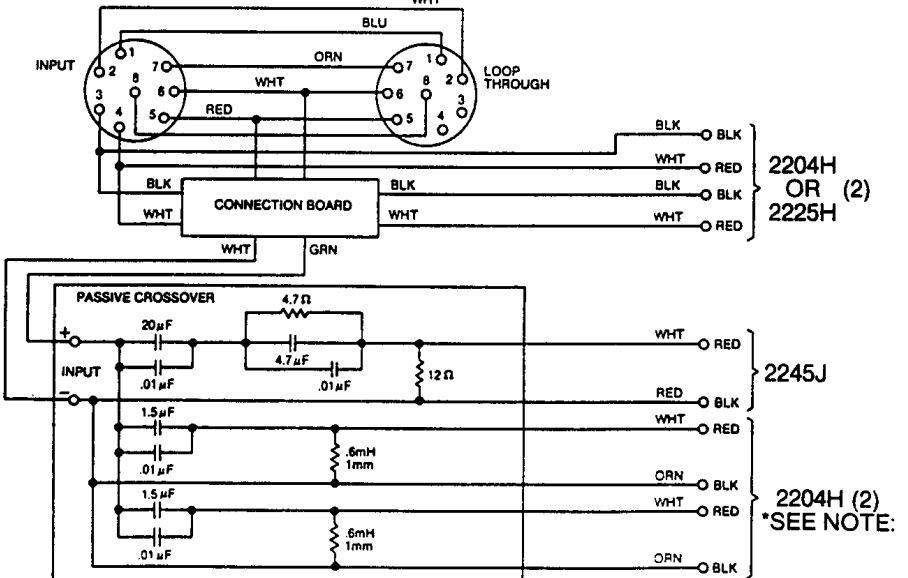
## WIRING DIAGRAM



### N4770 WIRING SCHEMATIC



### N4770P WIRING SCHEMATIC

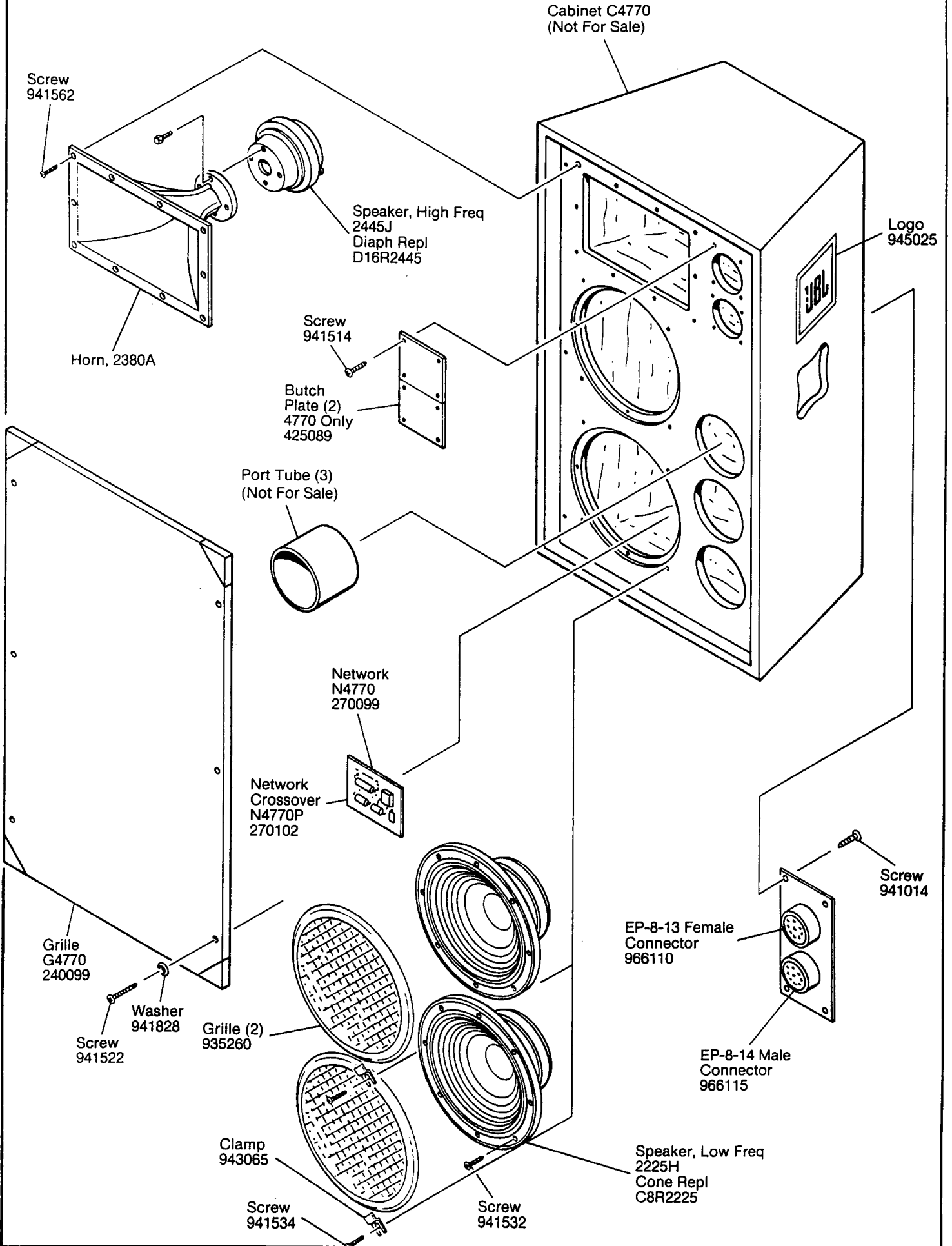


## PACKAGE

Wood Shipping Crate

# JBL4770

## COMPONENT EXPLODED VIEW



JBL4770