

# Technical Manual

# JBL4894

## SPECIFICATIONS



### ACOUSTIC & ELECTRICAL SPECIFICATIONS:

- Nominal Impedance: 8 ohm
- Power Capacity: High Freq - 300W @ 8 ohm  
Low Freq - 600W @ 8 ohm  
Each Transducer
- Frequency Range: 46 Hz to 18 kHz ( $\pm 3$  dB)
- Sensitivity: 100 dB SPL\*
- Crossover Frequencies: N/A

### SYSTEM COMPONENTS:

- Cabinet: C4894
- Grille: G4894 (74706)
- Low Frequency Transducer: 355mm (14 in.) Cone Transducer (1400 PRO) (2)
- DC Resistance: 4.1 ohm  $\pm 10\%$  Aluminum Wire

\*1 Watt (2.83 V RMS) @ 1 Meter

### SYSTEM COMPONENTS: (cont'd)

- High Frequency Transducer: 100mm (4 in.) Pure Titanium Diaphragm (M/I 2450SL)
- DC Resistance: 4.0 ohm  $\pm 8\%$  Aluminum Wire
- Crossover Network: 74884

### AURAL SWEEP TEST SPECIFICATIONS:

- A. System Aural Sweep Test: 7.0V Input, 20 Hz to 18 kHz
- B. L.F. Aural Sweep Test: 10.0V Input, 50 Hz to 1 kHz
- C. H.F. Aural Sweep Test: 4.0V Input, 1 kHz to 18 kHz

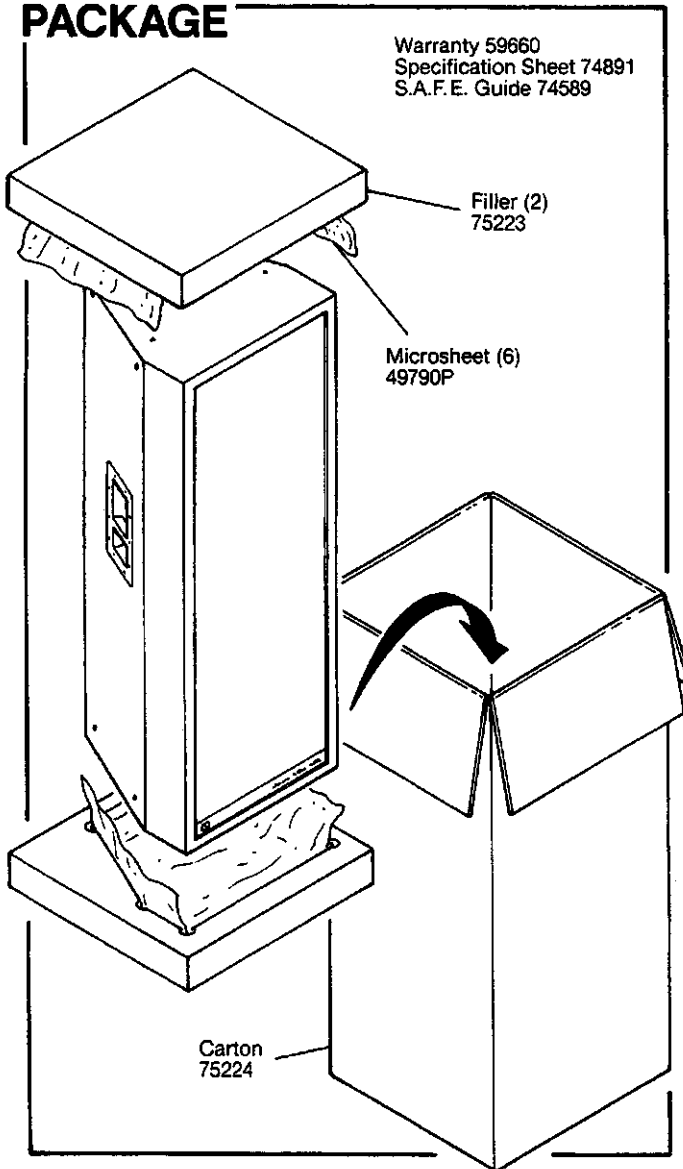
### PHYSICAL SPECIFICATIONS:

- Enclosure Dimensions: 1066mm x 394mm x 362mm D  
(42.0 x 15.0 x 14.25 in. D)
- Shipping Weight: 104 lbs. (47.3 kg.)

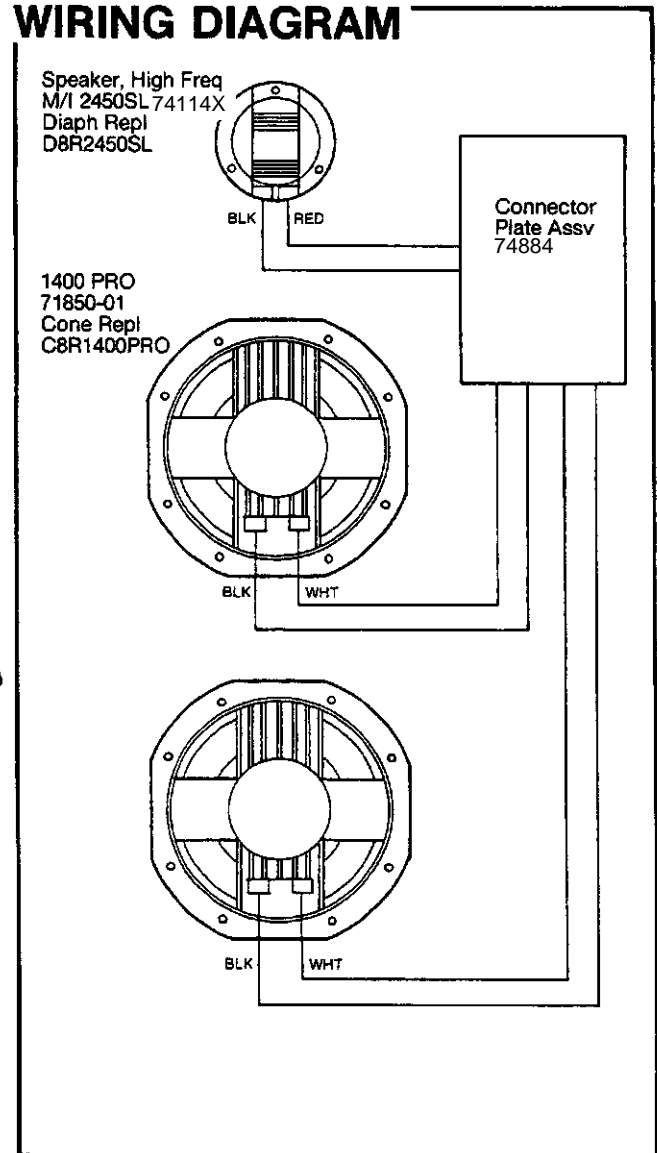
### WARRANTY INFORMATION:

- Refer to the Warranty Statement packed with each product.

## PACKAGE



## WIRING DIAGRAM



JBL4894 REV E

# JBL4894

## COMPONENT EXPLODED VIEW

