



ADP UHF (470 - 1075 MHz)

Passive directional UHF antenna

Instruction manual

SENNHEISER

Important safety instructions

1. Read these safety instructions and the instruction manual of the product.
2. Keep these safety instructions and the instruction manual of the product. Always include all instructions when passing the product on to third parties.
3. Always include this instruction manual and the safety guide when passing the product on to third parties.
4. Only use attachments, accessories and spare parts specified by the manufacturer.
5. Do not attempt to open the product housing on your own. The warranty is voided for products opened by the customer.
6. Refer all servicing to qualified service personnel. Servicing is required when the product has been damaged in any way, liquid has been spilled or objects have fallen into the product, when the product has been exposed to rain or moisture, does not operate normally, or has been dropped.
7. Use the product only under the conditions of use listed in the specifications.

8. Do not operate the product if it was damaged during transportation.
9. Always run cables so that no one can trip over them.
10. Keep the product and its connections away from liquids and electrically conductive objects that are not necessary for operating the product.
11. Do not use any solvents or aggressive cleaning agents to clean the product.
12. Caution: Very high signal levels can damage your hearing and your loudspeakers. Reduce the volume on the connected audio devices before switching on the product; this will also help prevent acoustic feedback.

Intended use

The product is designed for indoor and outdoor use.

The product can be used for commercial purposes.

It is considered improper use when the product is used for any application not named in the corresponding instruction manual.

Sennheiser does not accept liability for damage arising from improper use or misuse of this product and its attachments/accessories.

Before putting the products into operation, please observe the respective country-specific regulations!

Safety instructions for antennas

Use safety wires to protect the antennas against tipping/dropping.

The safety wires, rope terminations and coupling links must comply in their dimensioning and condition with the regulations and standards of the country in which they are used!

Manufacturer declarations

Warranty

Sennheiser electronic GmbH & Co. KG gives a warranty of 24 months on these products.

For the current warranty conditions, please visit our website at www.sennheiser.com or contact your Sennheiser partner.

FOR AUSTRALIA ONLY

Sennheiser goods come with guarantees that cannot be excluded under the Australian Consumer Law. You are entitled to a replacement or refund for a major failure and compensation for any other reasonably foreseeable loss or damage. You are also entitled to have the goods repaired or replaced if the goods fail to be of acceptable quality and the failure does not amount to a major failure.

This warranty is in addition to other rights or remedies under law. Nothing in this warranty excludes, limits or modifies any liability of Sennheiser which is imposed by law, or limits or modifies any remedy available to the consumer which is granted by law.

To make a claim under this warranty, contact

Sennheiser Technical Services and Spare Parts Sales

c/o Linfox, Gate 3, 1 Fox Lane,

Erskine Park, 2759, NSW, Australia

Phone: (02) 9910 6700

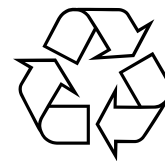
email: au-service@sennheiser.com

All expenses of claiming the warranty will be borne by the person making the claim.

The Sennheiser International Warranty is provided by Sennheiser Australia Pty Ltd (ABN 68 165 388 312), The Zenith, Tower A, L14, 821 Pacific Highway Chatswood NSW 2067, Australia.

In compliance with the following requirements

- WEEE Directive (2012/19/EU)



Notes on disposal

The symbol of the crossed-out wheeled bin on the product, the battery/rechargeable battery (if applicable) and/or the packaging indicates that these products must not be disposed of with normal household waste, but must be disposed of separately at the end of their operational lifetime. For packaging disposal, please observe the legal regulations on waste segregation applicable in your country.

Further information on the recycling of these products can be obtained from your municipal administration, from the municipal collection points, or from your Sennheiser partner.

The separate collection of waste electrical and electronic equipment, batteries/rechargeable batteries (if applicable) and packagings is used to promote the reuse and recycling and to prevent negative effects caused by e.g. potentially hazardous substances contained in these products. Here-with you make an important contribution to the protection of the environment and public health.

EU Declaration of conformity

- RoHS Directive (2011/65/EU)

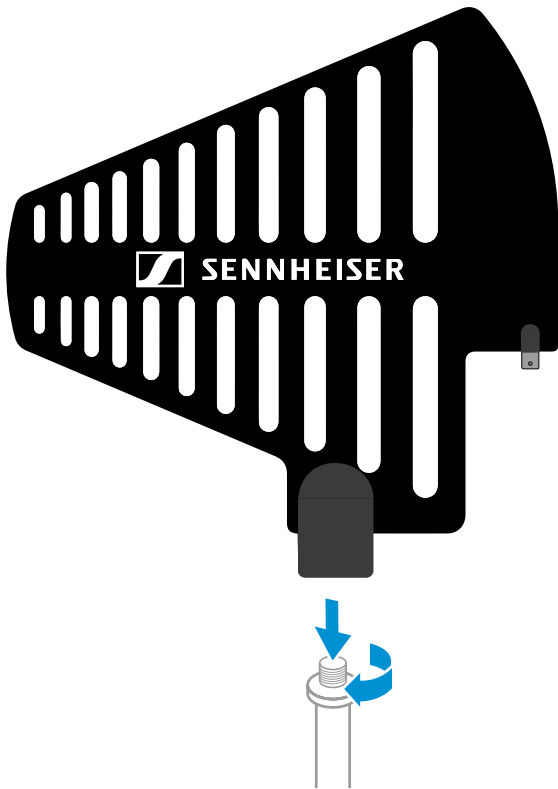


The full text of the EU declaration of conformity is available at the following internet address:

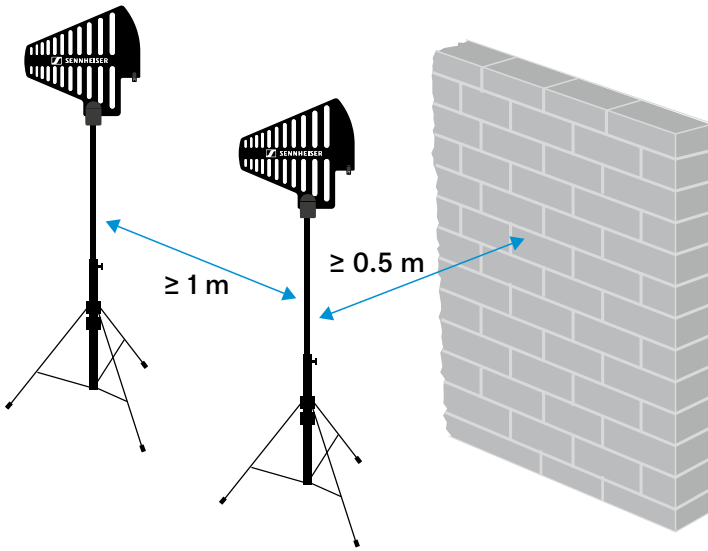
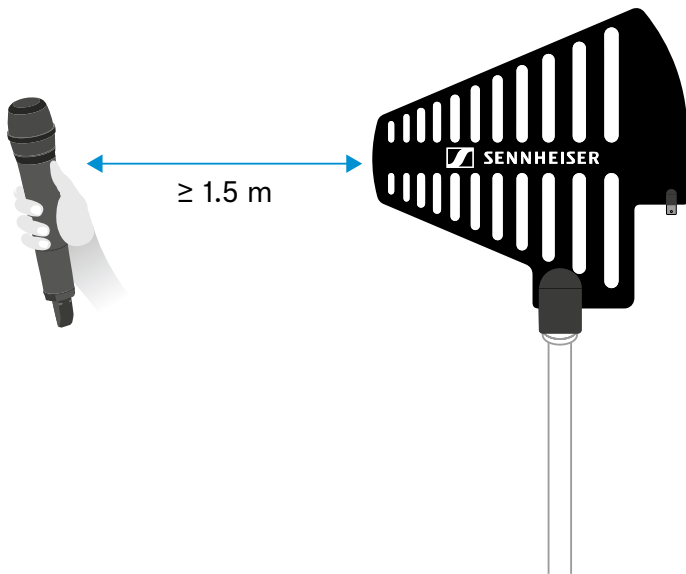
www.sennheiser.com/download.

OPERATION

Overview



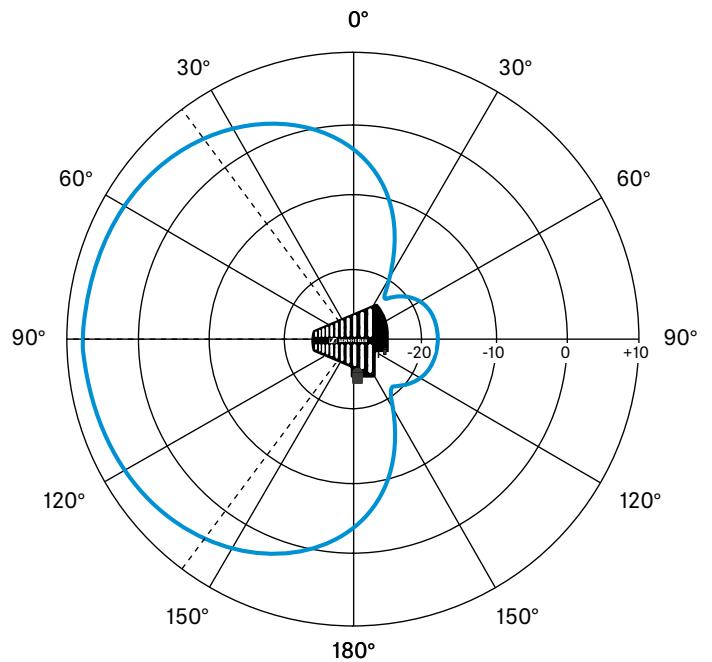
Setup



SPECIFICATIONS

Frequency range	470 – 1075 MHz
Apex angle (-3 dB)	approx. 100°
Front-to-back ratio	> 14 dB
Gain	typ. 5 dBi
Impedance	50 Ω
Connection	BNC female, no DC path
Threads for tripod mounting	3/8" and 5/8"
Dimensions	319 x 310 mm
Weight	approx. 320 g
Operating temperature range	-10 to + 55 °C (14 to 131 °F)
Storage temperature range	-20 to + 85 °C (-4 to 185 °F)
Relative humidity	max. 95 % non-condensing

Typ. polar pattern



COMPLIANCE

Europe



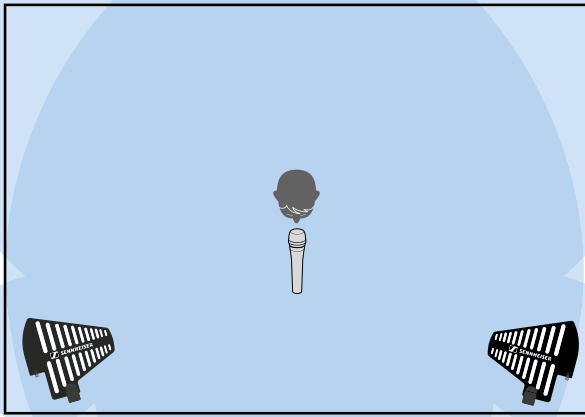
EN 50581

China



Vietnam

Kể từ ngày 1 tháng 12 năm 2012, các sản phẩm được sản xuất bởi Sennheiser tuân thủ Thông tư 30/2011/TT-BCT quy định về giới hạn cho phép đối với một số chất độc hại trong các sản phẩm điện và điện tử.



Optional accessories

- RG 58 and GZL 5000 antenna cables
- EW-D AB antenna booster
- EW-D ASA antenna splitter

Recommended cable lengths

To ensure reliable operation, observe the following maximum antenna cable lengths:

Frequency range around	Number of EW-D AB	Max. cable length	
		RG 58	GZL 5000
500 MHz	0	8 m	16 m
	1	36 m	72 m
	2	64 m	128 m
700 MHz	0	7 m	14 m
	1	30 m	60 m
	2	53 m	106 m
900 MHz	0	6 m	15 m
	1	26 m	52 m
	2	46 m	92 m

Sennheiser electronic GmbH & Co. KG

Am Labor 1, 30900 Wedemark, Germany
www.sennheiser.com

Publ. 05/20, 583964/A01