

EZL 2020-20 Mobile charger case

FEATURES

- Charging bays for 20 EK2020-D or HDE 2020-D receivers
- Charging bay for SK 2020-D
- Trickle charge
- Copy button copies the selected channel of one receiver to the 19 others and sets the volume to default

The EZL 2020-20L charger case

has been designed to be highly user-friendly. It acts as both the storage case for all equipment and charging station for the Tour Guide receivers and transmitter. Twenty charging bays for the receivers and two charging bays for the transmitter - or its rechargeable battery pack - are provided. Truly impressive feature of the charging case is the Copy button. All you need do is to set one receiver to the correct channel, press this button just once, and all of the other receivers in the case will immediately be set to the same channel.

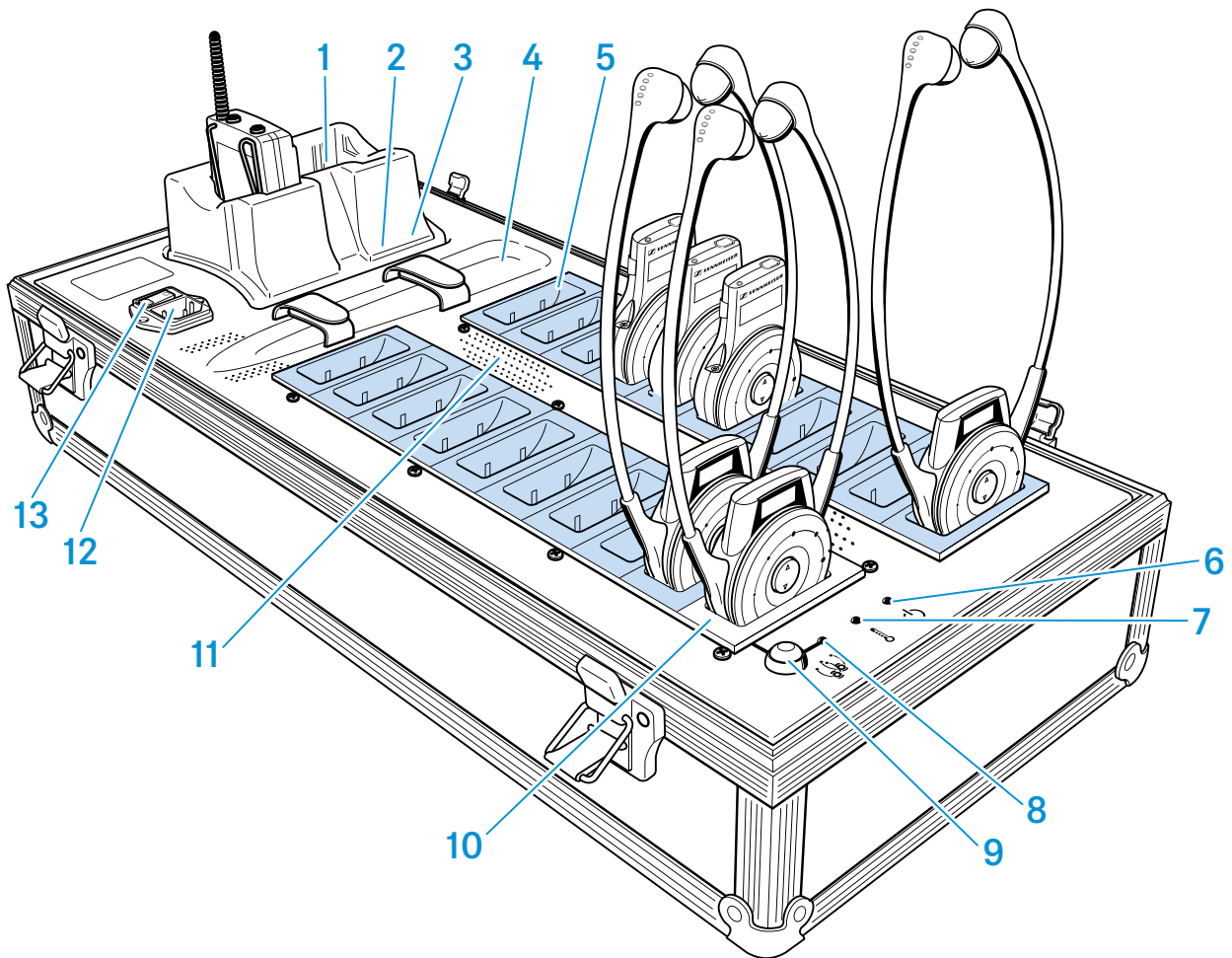


ARCHITECT'S SPECIFICATIONS

TECHNICAL DATA

Mains voltage	100–240 VAC (50/60 Hz)
Power consumption	max. 70 W
Charging time	< 2,5 hours HDE 2020-D < 5 hours EK 2020-D < 3,5 h SK 2020-D / BA 2015
Operating temperature	0 – 40 °C
Dimensions	600 x 270 x 380 mm (23.62" x 10.63" x 14.96")
Weight	8,3 kg (18.32 lbs)
Delivery includes.....	EZL 2020-20, 2020-D System Manual

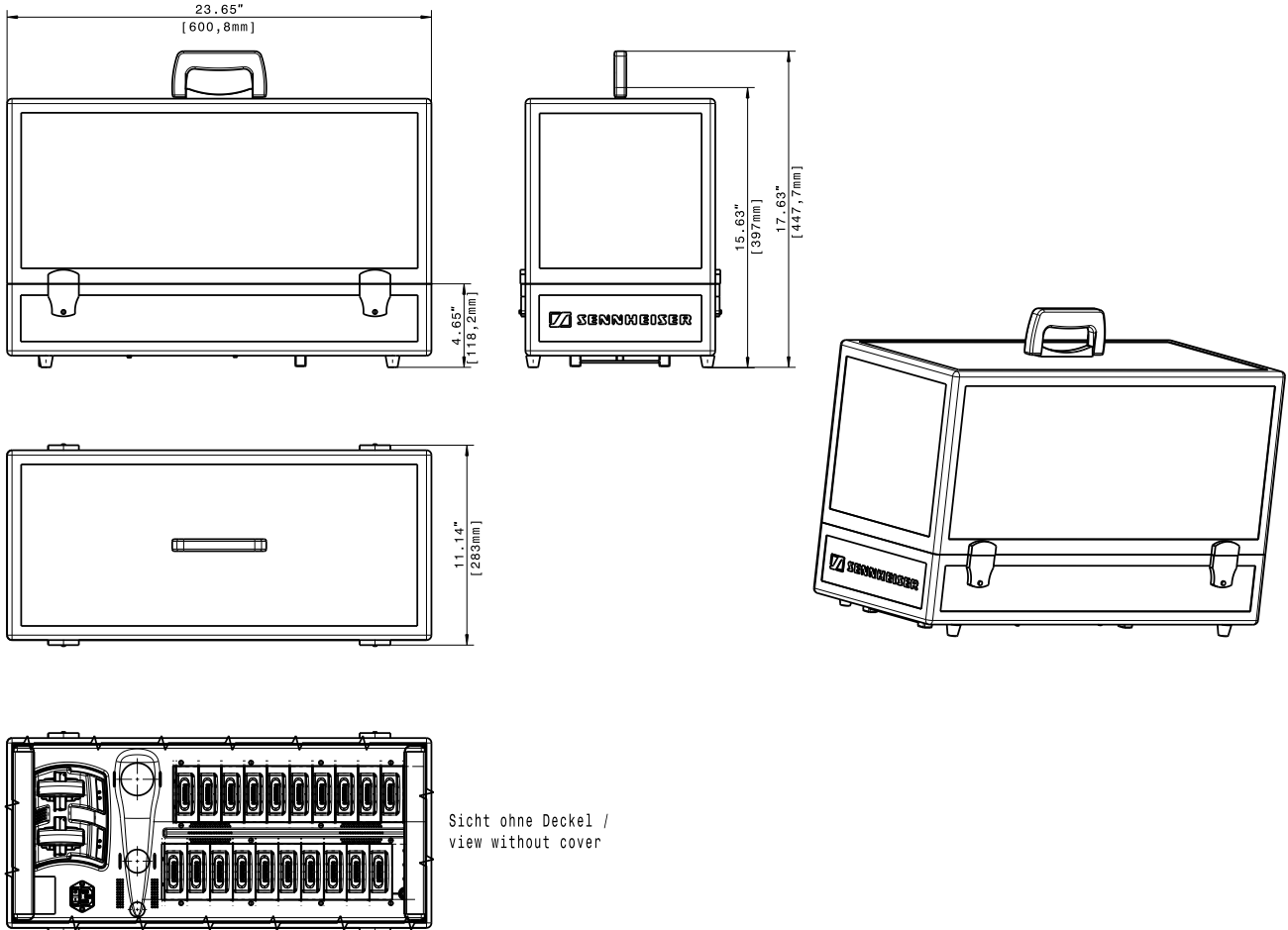
EZL 2020-20 L charging case



- | | | | |
|---|--|----|--|
| 1 | Charging compartments for accu-pack/bodypack transmitter | 7 | LED TEMP ERROR |
| 2 | Red LED CHARGE/ERROR | 8 | LED COPY AVAILABLE |
| 3 | Green LED READY | 9 | COPY button |
| 4 | Storage place for radio microphone | 10 | Charging compartment with channel copy function (master) |
| 5 | 19 charging compartments for receivers (slaves, light blue in the diagram) | 11 | Air vents |
| 6 | LED POWER | 12 | IEC mains socket |
| | | 13 | Mains switch |

EZL 2020-20 Mobile charger case

DIMENSIONS



PRODUCT VARIANTS

EZL 2020-20

Cat. No. 500542

RECOMMENDED ACCESSORIES

US mains cable, 1.8 m (5.91 ft), black

Cat. No. 054325

UK mains cable, 1.8 m (5.91 ft), black

Cat. No. 057256

Contact your local Service Partner:

Sennheiser electronic GmbH & Co. KG
Am Labor 1, 30900 Wedemark, Germany
www.sennheiser.com

 **SENNHEISER**