



HSP 2

Headset microphone

FEATURES

- Modular overall system, i.e. all system components are easily interchangeable and combinable
- Individually adjustable to all head sizes
- Extremely thin microphone boom (\varnothing 1.1 mm), can be attached to the left or right side (removable attachment clip)
- Patented Umbrella Diaphragm protects the microphone against sweat
- Connection cable can easily be interchanged
- Attachment clip for microphone boom can be interchanged
- All metal parts coated in a physical vapour deposition process

High-quality permanently polarized condenser headmic with omni-directional pick-up pattern, designed for professional „hands free“ applications. The adjustable neckband is visually unobtrusive and very comfortable to wear. The twelve available HSP 2 variants differ in color, size and connector.

For wireless applications, the headmic can be used with different Sennheiser bodypack transmitters, depending on the connection cable.



DELIVERY INCLUDES

- Boom microphone
- Neckband
- Clips for attaching the microphone boom
- Connection cable
- Plastic transport case, foam-lined with cut-outs
- Caps for altering the frequency response
- Quick Guide
- Safety Guide

PRODUCT VARIANTS

HSP 2 3-Pin connector, anthrazit	Art. no. 009862
HSP 2-3 3-Pin connector, beige	Art. no. 009863
HSP 2-EW 3.5 mm jack, anthrazit	Art. no. 009866
HSP 2-EW-3 3.5 mm jack, beige	Art. no. 009872

SPECIFICATIONS

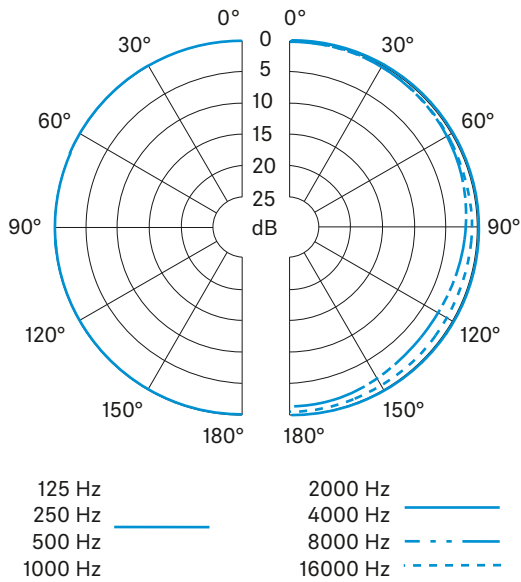
Frequency response	20 to 20,000 Hz \pm 3 dB
Pick-up pattern	omni-directional
Nominal impedance @ 1 kHz	1 k Ω
Min. terminating impedance	4.7 k Ω
Sensitivity	2 mV/Pa \pm 3 dB
Diameter of mic capsule	4.8 mm
Max. sound pressure level	150 dB
Equivalent noise level	28 dB(A)
Supply current	approx. 250 μ A
Power supply	4.5 to 15 V
Temperature range	-10 $^{\circ}$ C to 50 $^{\circ}$ C (14 $^{\circ}$ F to 122 $^{\circ}$ F)
Relative air humidity	max. 95 %
Cable length	1.6 m
Diameter of boom arm	1.1 mm
Connector	3.5 mm jack plug or 3-Pin connector
Weight (without cable)	approx. 2.1 g



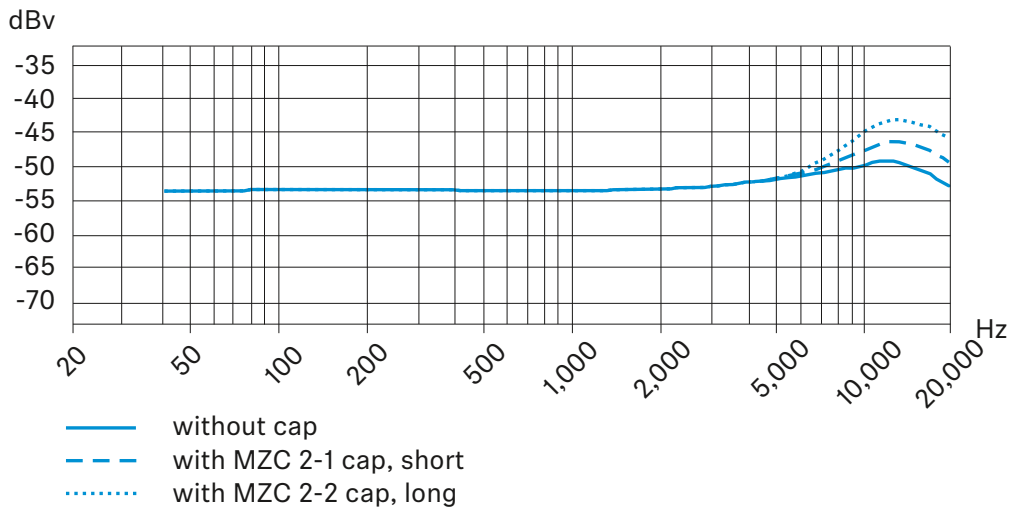
HSP 2

Headset microphone

POLAR PATTERN



FREQUENCY RESPONSE



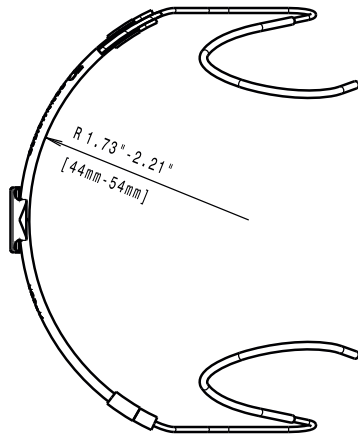


HSP 2

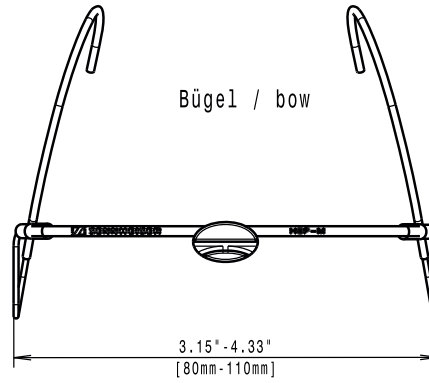
Headset microphone

DIMENSIONS

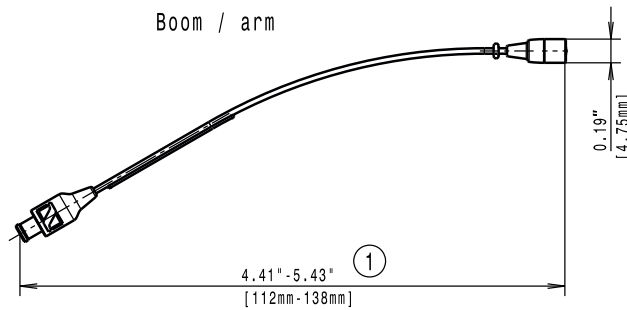
Bügel / bow



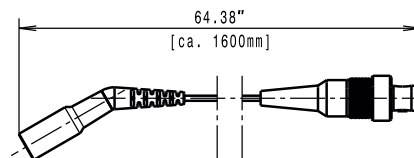
Bügel / bow



Boom / arm



Kabel / cable



Kabel / cable

