

Quick Start Guide



DVS Series

DVS 8/DVS 6/DVS 4

8/6/4" Coaxial Surface-Mount Loudspeaker for Installation Applications

DVS 8T/DVS 6T/DVS 4T

8/6/4" Coaxial Surface-Mount Loudspeaker with Transformer for Installation Applications

TANNOY

EN

EN Important Safety Instructions

ES



Terminals marked with this symbol carry electrical current of sufficient magnitude to constitute risk of electric shock.

Use only high-quality professional speaker cables with ¼" TS or twist-locking plugs pre-installed. All other installation or modification should be performed only by qualified personnel.



This symbol, wherever it appears, alerts you to the presence of uninsulated dangerous voltage inside the enclosure - voltage that may be sufficient to constitute a risk of shock.



This symbol, wherever it appears, alerts you to important operating and maintenance instructions in the accompanying literature. Please read the manual.



Caution

To reduce the risk of electric shock, do not remove the top cover (or the rear section). No user serviceable parts inside. Refer servicing to qualified personnel.



Caution

To reduce the risk of fire or electric shock, do not expose this appliance to rain and moisture. The apparatus shall not be exposed to dripping or splashing liquids and no objects filled with liquids, such as vases, shall be placed on the apparatus.



Caution

These service instructions are for use by qualified service personnel only. To reduce the risk of electric shock do not perform any servicing other than that contained in the operation instructions. Repairs have to be performed by qualified service personnel.

1. Read these instructions.
2. Keep these instructions.
3. Heed all warnings.
4. Follow all instructions.
5. Do not use this apparatus near water.
6. Clean only with dry cloth.
7. Do not block any ventilation openings. Install in accordance with the manufacturer's instructions.
8. Do not install near any heat sources such as radiators, heat registers, stoves, or other apparatus (including amplifiers) that produce heat.

9. Do not defeat the safety purpose of the polarized or grounding-type plug. A polarized plug has two blades with one wider than the other. A grounding-type plug has two blades and a third grounding prong. The wide blade or the third prong are provided for your safety. If the provided plug does not fit into your outlet, consult an electrician for replacement of the obsolete outlet.

10. Protect the power cord from being walked on or pinched particularly at plugs, convenience receptacles, and the point where they exit from the apparatus.

11. Use only attachments/accessories specified by the manufacturer.



12. Use only with the cart, stand, tripod, bracket, or table specified by the manufacturer, or sold with the apparatus. When a cart is used, use caution when moving the cart/apparatus combination to avoid

injury from tip-over.

13. Unplug this apparatus during lightning storms or when unused for long periods of time.

14. Refer all servicing to qualified service personnel. Servicing is required when the apparatus has been damaged in any way, such as power supply cord or plug is damaged, liquid has been spilled or objects have fallen into the apparatus, the apparatus has been exposed to rain or moisture, does not operate normally, or has been dropped.

15. The apparatus shall be connected to a MAINS socket outlet with a protective earthing connection.

16. Where the MAINS plug or an appliance coupler is used as the disconnect device, the disconnect device shall remain readily operable.



17. Correct disposal of this product: This symbol indicates that this product must not be disposed of with household waste, according to the WEEE Directive (2012/19/EU) and your national law. This product should be taken

to a collection center licensed for the recycling of waste electrical and electronic equipment (EEE). The mishandling of this type of waste could have a possible negative impact on the environment and human health due to potentially hazardous substances that are generally associated with EEE. At the same time, your cooperation in the correct disposal of this product will contribute to the efficient use of natural resources. For more information about where you can take your waste equipment for recycling, please contact your local city office, or your household waste collection service.

18. Do not install in a confined space, such as a book case or similar unit.

19. Do not place naked flame sources, such as lighted candles, on the apparatus.

20. Please keep the environmental aspects of battery disposal in mind. Batteries must be disposed-of at a battery collection point.

21. Use this apparatus in tropical and/or moderate climates.

LEGAL DISCLAIMER

Music Tribe accepts no liability for any loss which may be suffered by any person who relies either wholly or in part upon any description, photograph, or statement contained herein. Technical specifications, appearances and other information are subject to change without notice. All trademarks are the property of their respective owners. Midas, Klark Teknik, Lab Gruppen, Lake, Tannoy, Turbosound, TC Electronic, TC Helicon, Behringer, Bugera and Coolaudio are trademarks or registered trademarks of Music Tribe Global Brands Ltd. © Music Tribe Global Brands Ltd. 2018 All rights reserved.

LIMITED WARRANTY

For the applicable warranty terms and conditions and additional information regarding Music Tribe's Limited Warranty, please see complete details online at musictribe.com/warranty.

Zhongshan Eurotec Electronics Limited

No. 10 Wanmei Road, South China Modern Chinese Medicine Park, Nanlang Town, 528451, Zhongshan City, Guangdong Province, China

Introduction

Designed for a wide variety of sound reinforcement applications the TANNOY DVS is an ultra compact loudspeaker system capable of delivering high sound pressure levels with extremely low distortion, resulting in outstanding clarity, definition and detail. A truly universal solution, the DVS offers outstanding durability and resistance to scuffs and knocks. Able to deliver consistent performance under a wide range of adverse conditions the DVS is suited to applications indoors or out. Available in black or white the DVS will effectively blend into most backgrounds. Utilisation of the point source loudspeaker allows the DVS to be mounted on a wall or ceiling in either horizontal or vertical orientations without affecting its performance. A range of hardware options ensures simple and effective installation. Also available with built-in line transformer. For applications requiring extended low frequency enhancement, a range of TANNOY sub-bass systems are available and can be used in conjunction with the DVS.

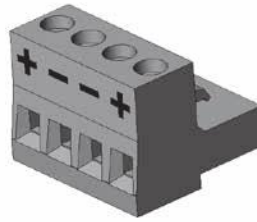
Installation Guidelines



1. Fix the yoke bracket to the surface using a suitable fixing method.



2. Feed the speaker cable through the rubber input seal, then connect the euro-type plug to the wires, observing the correct polarity.



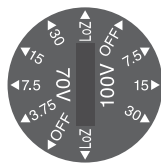
3. For connection to the loudspeaker, use pins 1 (+) and 2 (-). Pins 3 (-) and 4 (+) are in parallel for connection to additional speakers in a distributed line.



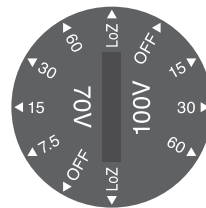
4. Offer the speaker up to the bracket and attach using the thumb screws provided.



5. Connect the euro plug, then place the rubber input seal over to ensure the speaker is sealed.

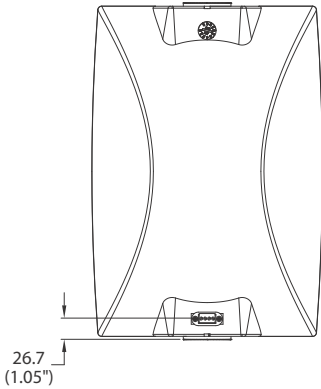
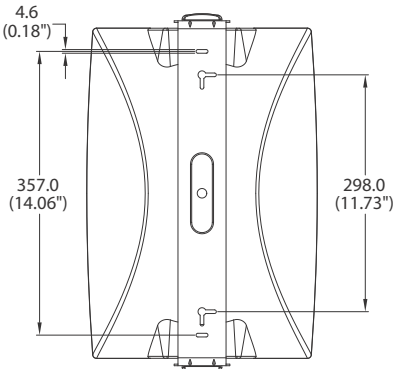
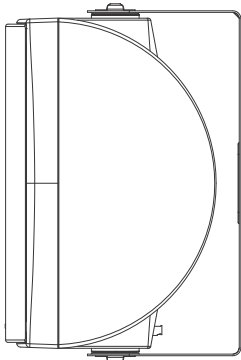
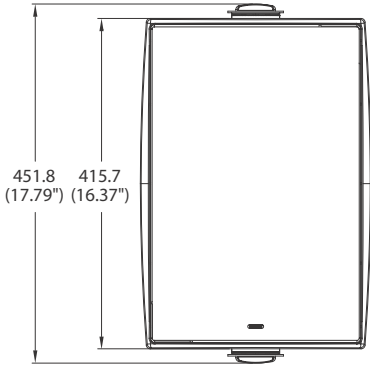
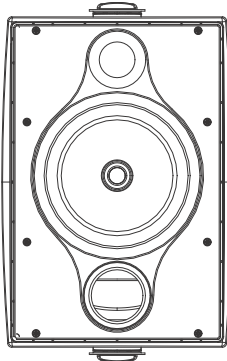
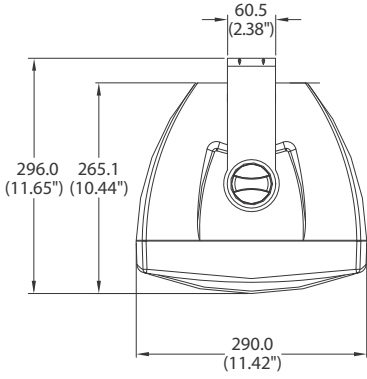


6. The DVS 4t models are fitted with 30W transformers. The speaker is supplied in low impedance mode.
NEVER CONNECT THE SPEAKER TO A 70/100 VOLT AMPLIFIER WHILE IT IS SET FOR LOW IMPEDANCE!

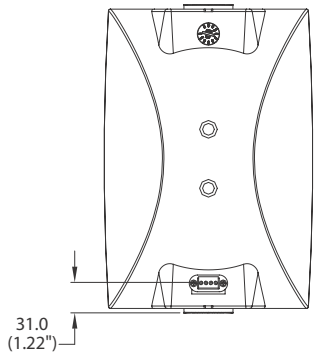
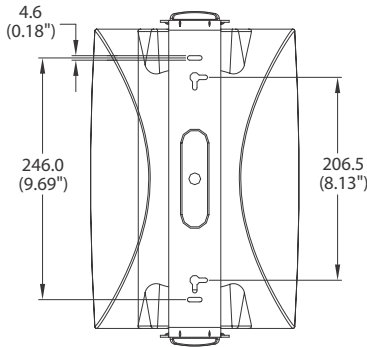
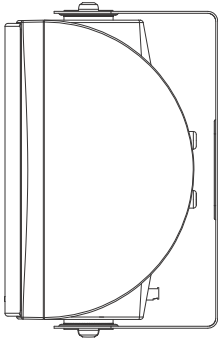
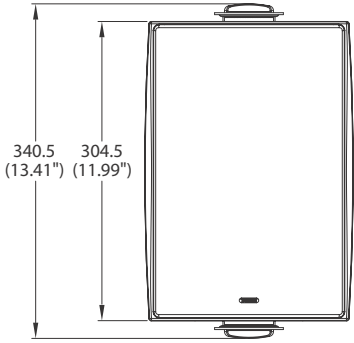
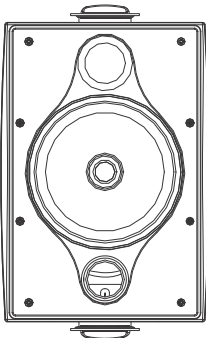
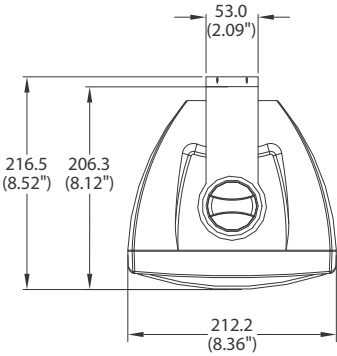


7. The DVS 6t and DVS 8t models are fitted with 60W transformers. The speaker is supplied in low impedance mode.
NEVER CONNECT THE SPEAKER TO A 70/100 VOLT AMPLIFIER WHILE IT IS SET FOR LOW IMPEDANCE!

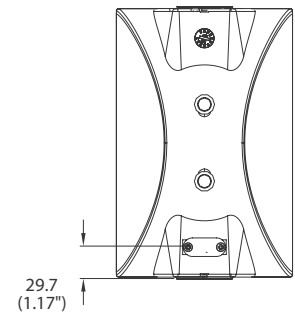
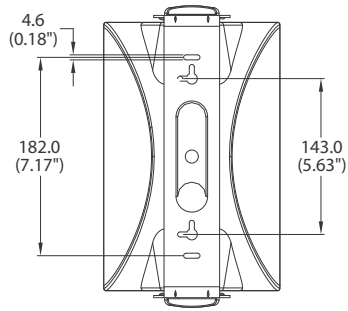
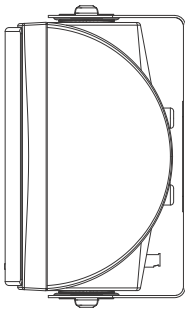
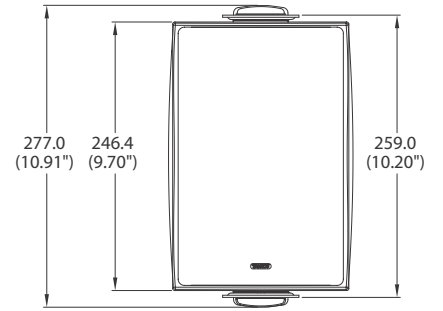
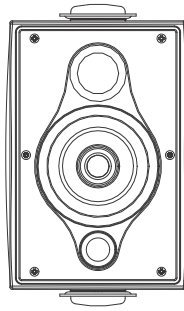
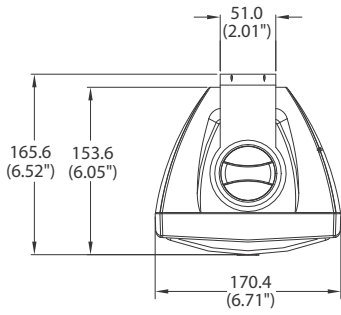
Product Dimensions DVS 8



Product Dimensions DVS 6



Product Dimensions DVS 4



Specifications

	DVS 8/8T	DVS 6/6T	DVS 4/4T
Performance			
Frequency response (-3 dB) ¹	75 Hz - 20 kHz	80 Hz - 20 kHz	75 Hz - 20 kHz
Frequency response (-10 dB) ¹	60 Hz - 30 kHz	65 Hz - 30 kHz	60 Hz - 30 kHz
System sensitivity (1 W @ 1 m) ²	90 dB	88 dB	84 dB
Dispersion (-6 dB)	80 degrees conical	90 degrees conical	110 degrees conical
Transducers	Coaxial	Coaxial	Coaxial
Low frequency	200 mm (8.00") mineral loaded cone material	165mm (6.5") mineral loaded cone material	100 mm (4.00") mineral loaded cone material
High frequency	20 mm (0.79)	20 mm (0.79)	20 mm (0.79)
Crossover	3.4 kHz - 2nd order LF, 2nd order HF	4.3 kHz - 2nd order LF, 2nd order HF	3.9 kHz - 2nd order LF, 2nd order HF
Directivity (Q)	12.3 averaged 1 kHz to 10 kHz	10.6 averaged 1 kHz to 10 kHz	6.5 averaged 1 kHz to 10 kHz
Directivity (DI)	10.0 averaged 1 kHz to 10 kHz	9.6 averaged 1 kHz to 10 kHz	5.3 averaged 1 kHz to 10 kHz
Rated maximum SPL ²	108 dB (average) 114 dB (peak)	105 dB (average) 111 dB (peak)	100 dB (average) 106 dB (peak)
Transformer Version			
Transformer taps			
70 V	60 W (83 Ω) / 30 W (165 Ω) / 15 W (330 Ω) / 7.5 W (660 Ω) / OFF & low impedance operation	60 W (83 Ω) / 30 W (165 Ω) / 15 W (330 Ω) / 7.5 W (660 Ω) / OFF & low impedance operation	30 W (165 Ω) / 15 W (330 Ω) / 7.5 W (660 Ω) / 3.75 W (1320 Ω) / OFF & low impedance operation
100 V	60 W (165 Ω) / 30 W (330 Ω) / 15 W (660 Ω) / OFF & low impedance operation	60 W (165 Ω) / 30 W (330 Ω) / 15 W (660 Ω) / OFF & low impedance operation	30 W (330 Ω) / 15 W (660 Ω) / 7.5 W (1320 Ω) / OFF & low impedance operation
Maximum wire gauge for connector	2.5 mm CSA (AWG12)	2.5 mm CSA (AWG12)	2.5 mm CSA (AWG12)
Safety Agency Ratings	UL-1480, CE	UL-1480, CE	UL-1480, CE
Power Handling			
Average	70 W	60 W	40 W
Programme	140 W	120 W	80 W
Peak	280 W	240 W	160 W
Recommended amplifier power	140 W @ 6 Ohms	120 W @ 6 Ohms	80 W @ 6 Ohms
Nominal impedance	6 Ohms	6 Ohms	6 Ohms
Construction			
Enclosure	ABS	ABS	ABS
Grille	Aluminium, painted	Aluminium, painted	Aluminium, painted
Connectors	Euroblock type removable locking connector with screw terminals with "loop through" facility	Euroblock type removable locking connector with screw terminals with "loop through" facility	Euroblock type removable locking connector with screw terminals with "loop through" facility
Supplied accessories	Yoke bracket	Yoke bracket	Yoke bracket
Packed quantity	2	2	2
Dimensions (H x W x D)	451.8 x 290.0 x 296.0 mm (17.79" x 11.42" x 11.65")	340.5 x 212.2 x 216.5 mm (13.41" x 8.36" x 8.52")	277.0 x 170.4 x 165.6 mm (10.91" x 6.71" x 6.52")
Non-transformer versions			
Net weight	5.7 kg (12.6 lbs)	3.6 kg (8 lbs)	2.3 kg (5 lbs)
Shipped weight	14.5 kg (32 lbs)	8.9 kg (20 lbs)	5.7 kg (12.6 lbs)
Transformer versions			
Net weight	7 kg (15.4 lbs)	4.8 kg (10.6 lbs)	2.8 kg (6.2 lbs)
Shipped weight	17.1 kg (37.7 lbs)	11.3 kg (25 lbs)	6.7 kg (15 lbs)

Notes

(1) Average over stated bandwidth. Measured at 1 metre on axis in an anechoic chamber

(2) Unweighted pink noise input, measured at 1 metre in an anechoic chamber

A full range of measurements, performance data, and Ease Data can be downloaded from www.tannoy.com

TANNOY operates a policy of continuous research and development. The introduction of new materials or manufacturing methods will always equal or exceed the published specifications, which TANNOY reserves the right to alter without prior notice. Please verify the latest specifications when dealing with critical applications.

EN Other important information

EN Important information

- 1. Register online.** Please register your new Music Tribe equipment right after you purchase it by visiting tannoy.com. Registering your purchase using our simple online form helps us to process your repair claims more quickly and efficiently. Also, read the terms and conditions of our warranty, if applicable.
- 2. Malfunction.** Should your Music Tribe Authorized Reseller not be located in your vicinity, you may contact the Music Tribe Authorized Fulfiller for your country listed under "Support" at tannoy.com. Should your country not be listed, please check if your problem can be dealt with by our "Online Support" which may also be found under "Support" at tannoy.com. Alternatively, please submit an online warranty claim at behringer.com BEFORE returning the product.
- 3. Power Connections.** Before plugging the unit into a power socket, please make sure you are using the correct mains voltage for your particular model. Faulty fuses must be replaced with fuses of the same type and rating without exception.

FEDERAL COMMUNICATIONS COMMISSION COMPLIANCE INFORMATION



Responsible Party Name: **Music Tribe Brands UK Ltd.**
Address: **Klark Industrial Park,
Walter Nash Road,
Kidderminster, Worcestershire,
DY11 7HJ United Kingdom**
Phone Number: **+44 1562 732290**

DVS Series

complies with the FCC rules as mentioned in the following paragraph:

This equipment has been tested and found to comply with the limits for a Class A digital device, pursuant to Part 15 of the FCC Rules. These limits are designed to provide reasonable protection against harmful interference when the equipment is operated in a commercial environment. This equipment generates, uses, and can radiate radio frequency energy and, if not installed and used in accordance with the instruction manual, may cause harmful interference to radio communications. Operation of this equipment in a residential area is likely to cause harmful interference in which case the user will be required to correct the interference at his own expense.

Important information:

Changes or modifications to the equipment not expressly approved by Music Tribe can void the user's authority to use the equipment.

EN

ES

FR

DE

PT

JP

CN

