

WIDE RANGE SPEAKER

CS-64U

Thank you for purchasing TOA's Wide Range Speaker.
Please carefully follow the instructions in this manual in order to ensure long, trouble-free use of your equipment.

1. SAFETY PRECAUTIONS

- Before installation or use, be sure to carefully read all the instructions in this section for correct and safe operation.
- Be sure to follow all the precautionary instructions in this section, which contain important warnings and/or cautions regarding safety.
- After reading, keep this manual handy for future reference.

WARNING

Indicates a potentially hazardous situation which, if mishandled, could result in death or serious personal injury.

- Install the speaker only in a location that can structurally support the weight of the speaker and the mounting bracket. Doing otherwise may result in the speaker falling down and causing personal injury and/or property damage.
- Do not stand or sit on, nor hang down from the speaker as this may cause it to drop, resulting in personal injury and/or property damage.

CAUTION

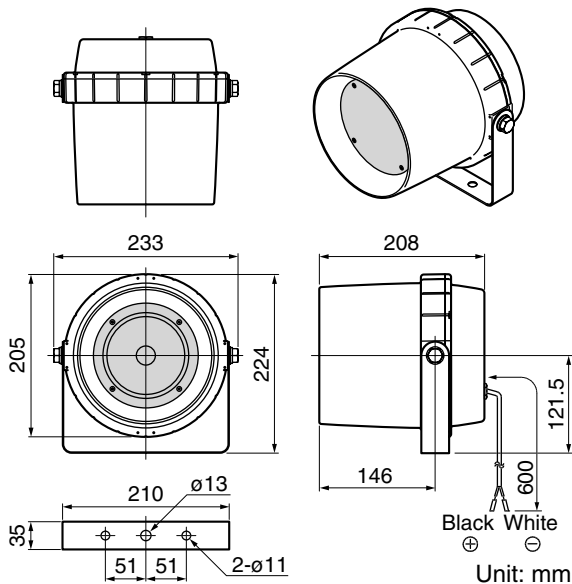
Indicates a potentially hazardous situation which, if mishandled, could result in moderate or minor personal injury, and/or property damage.

- Do not operate the speaker for an extended period of time with the sound distorting. This is an indication of a malfunction, which in turn can cause heat to generate and result in a fire.

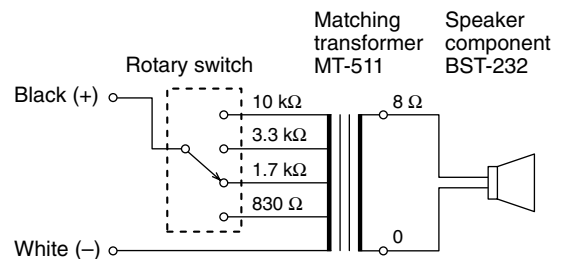
2. GENERAL DESCRIPTION AND FEATURES

TOA's CS-64U outdoor speaker features a resin enclosure and stainless steel hardware for all-weather durability. It is designed to offer the weather resistance and high efficiency of horn speakers combined with the high sound quality of cone speakers.

3. APPEARANCE AND DIMENSIONS



4. WIRING DIAGRAM



Note: The rotary switch is factory-preset to 1.7 k Ω .

5. IMPEDANCE CHANGE

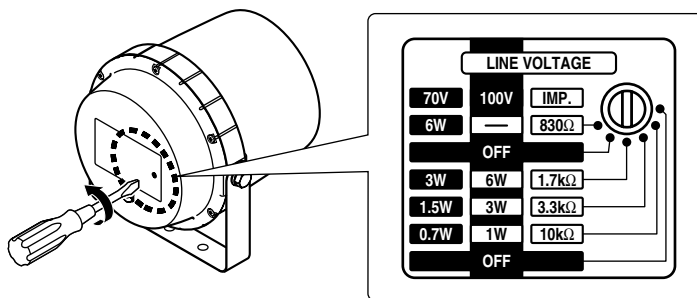
The input impedance is factory-preset to 1.7 kΩ. To change the impedance, change the rear panel-mounted rotary switch position to the desired impedance (wattage) using a standard screwdriver.

Notes

- This speaker is designed to operate on a 70 V or 100 V line. Do not connect it to the amplifier's low impedance line.
- No sound is output when the switch is set to the OFF position.

Caution

Never set the switch to "—" position for 100 V line operation, as doing so may result in damage to the speaker.



Line Voltage		Imp.
70 V	100 V	
6 W	—	830 Ω
3 W	6 W	1.7 kΩ
1.5 W	3 W	3.3 kΩ
0.5 W	1 W	10 kΩ

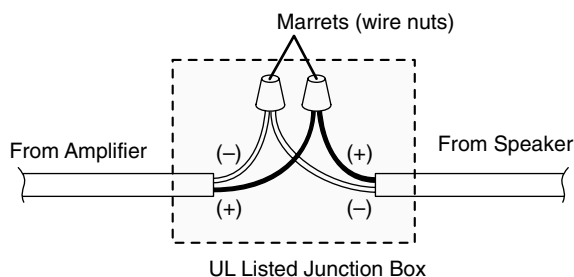
← Factory-preset values

6. CONNECTION

Make the connections using marrets (wire nuts) inside a UL Listed junction box.

Note

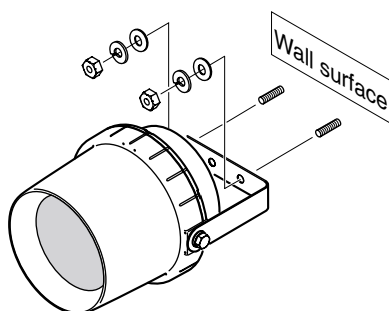
This product shall be installed in accordance with the National Electrical Code, ANSI/NFPA 70.



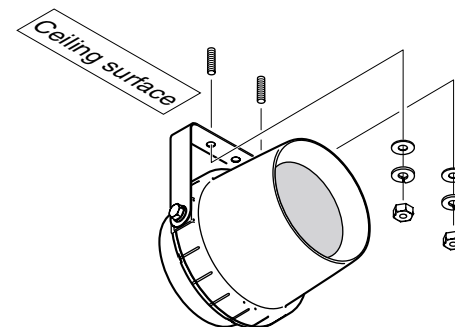
7. INSTALLATION

- Be sure to direct the speaker down towards the ground. Otherwise, rain floods the speaker, causing its failure.
- No mounting hardware such as bolts and nuts is supplied with the speaker. Use commercial mounting hardware appropriate for the installation environment.
- Please install only with either flexible conduit or flexible wiring.

[Mounting on the Wall]



[Mounting under the Eaves or on the Ceiling]



8. SPECIFICATIONS

Speaker Component	12 cm cone speaker	
Rated Input	6 W	
Impedance	(830 Ω)*, 1.7 kΩ, 3.3 kΩ, 10 kΩ	
Frequency Response	130 – 13,000 Hz	
Sensitivity	96 dB (1 W, 1 m)	
Finish	Body	ABS resin, off-white, paint
	Bracket	Stainless steel
	Net	Zinc-coated steel, gray, paint
Dimensions	233 (w) x 224 (h) x 208 (d) mm	
Weight	1.5 kg	

* Impedance for 70 V line

Note

The design and specifications are subject to change without notice for improvement.