



CS-761BS-B / CS-761BS-W

2-Way Weatherproof Music Horn speaker



**Horn speaker for high sound quality
for BGM and PA – even outdoors.**

We supply sound, not equipment.
www.toa.eu

CS-761BS-B / CS-761BS-W

2-Way Weatherproof Music Horn speaker

The CS-761B is a compact 2-way weatherproof speaker system designed for high efficiency, high power input handling capacity, and is a high intelligible speaker suited for public address announcement and BGM application in outdoor environments. The external speaker component is finished to ensure the unit's weatherproof ability, and special paint coat prevents color degradation, ensuring its long-lasting exterior condition. This model is designed with a rotary switch that facilitates hassle-free impedance change.

FEATURES

- ✔ Horn speaker for high sound quality for BGM and PA
- ✔ Voice alarm certification EN54 under preparation
- ✔ High sound pressure: 117 DB
- ✔ All weather durability, be it water or dust. Ideal for semi-outdoor and outdoor applications.
- ✔ Rotary switch facilitates hassle-free impedance change
- ✔ Special paint coat prevents color degradation, ensuring long-lasting exterior condition.
- ✔ Various mounting brackets available as accessories allowing flexibility of mounting the speaker on a platform, in the ceiling, on the wall or on a pole.
- ✔ EN 54-24 under preparation

APPLICATIONS



Stations and platforms



Car parks



Amusement parks



Supermarkets



Schoolyards



Outdoor dining



Factories



Sport locations

SPECIFICATIONS

	CS-761BS-B / CS-761BS-W
Rated input	60W
Rated Impedance	100 V line: 170 Q (60 W), 330 Q (30 W), 670 Q (15 W), 1.3 kQ (7.5 W) 70 V line: 83 Q (60 W), 170 Q (30 W), 330 Q (15 W), 670 Q (7.5 W)
Sensitivity	100 dB (1 W, 1 m) (1 kHz - 10 kHz, pink noise)
Frequency Response	100 Hz - 20 kHz
Speaker Component	Low frequency: 16 cm (6") cone-type, High frequency: 2.5 cm (1 ") tweeter
Directivity Angle	Horizontal: 90°, Vertical: 80°
Operating Temperature	-10° C to +50° C (14°F to 122°F)
Dust/Water Protection	IP66
Connection	Ceramic Terminal, Thermal Fuse
Finish	Black / White (RAL 9001 equivalent)
Dimensions	388 (W) x 310 (H) x 367 (D) mm (15.28" x 12.2" x 14.45")
Weight	7.6 kg (16.75 lb)
Option	Speaker mount bracket: SP-201, Pole band: YS-60B, Speaker stand: ST-34B

TOA Electronics Europe GmbH

www.toa.eu

Specifications are subject to change without notice.

Printed in Germany (2106) L833TEECXXX QJ



2WAY COAXIAL HORN SPEAKER 60W CS-761BS-B

The CS-761BS-B is certified to the European Standard EN 54-24: 2008, Loudspeaker for voice alarm systems for fire detection and fire alarm systems In compliance with the British Standard BS 5839-8: 2008. DoP number is 21-001.

DESCRIPTION

The CS-761BS-B is a two-way speaker featuring a coaxially positioned 16 cm (6.5") cone speaker and 2.5 cm (1") tweeter. This speaker provides high-quality sound broadcasts with excellent clarity, not only indoors, but also in semi-outdoor facilities such as multistory parking structures, and even in outdoor applications such as sports grounds and parks. It also complies with IP66 Dustproof and Waterproof Standards.

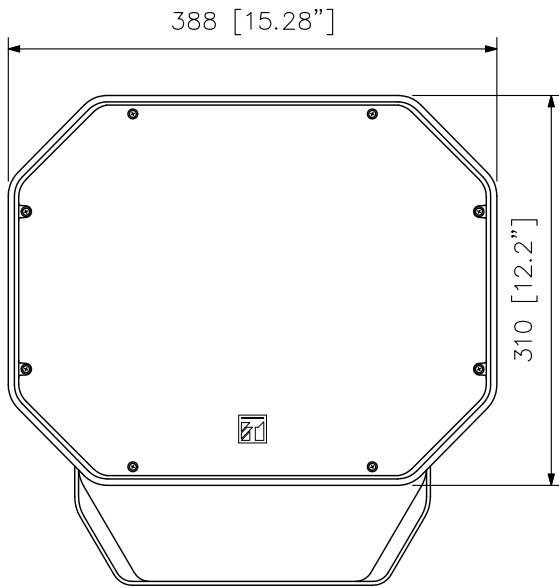
SPECIFICATIONS

Rated Input	60 W
Rated Impedance	100 V line: 170 Ω (60 W), 330 Ω (30 W), 670 Ω (15 W), 1.3 kΩ (7.5 W) 70 V line: 83 Ω (60 W), 170 Ω (30 W), 330 Ω (15 W), 670 Ω (7.5 W)
Sensitivity	100 dB (1 W, 1 m) (1 kHz – 10 kHz, pink noise) 99 dB (1 W, 1 m) (100 Hz – 10 kHz, pink noise) 87 dB (1 W, 4 m) (100 Hz – 10 kHz, pink noise)
Maximum Sound Pressure Level	117 dB (60 W, 1 m) (1 kHz – 10 kHz, pink noise) 103 dB (60 W, 4 m) (100 Hz – 10 kHz, pink noise)
Frequency Response	100 Hz – 20 kHz
Coverage Angle (-6 dB)	Declared value according to EN 54-24 Horizontal: 135° (500 Hz), 70° (1 kHz), 70° (2 kHz), 90° (4 kHz) Vertical: 160° (500 Hz), 85° (1 kHz), 110° (2 kHz), 105° (4 kHz)
Environmental Type	Type B (outdoor applications)
Speaker Component	Low frequency: 16 cm (6") cone-type, High frequency: 2.5 cm (1") tweeter
Operating Temperature	-10 °C to +50 °C (14 °F to 122 °F)
Dust/Water Protection	IP66
Applicable Cable	Size: PG 9 One cable gland is factory-installed. For bridge connection, one cable gland can be added.
Applicable Cable Size	Outer diameter: Ø4.5 – 8.2 mm Conductor: Solid wire or 7-core wire No bridge connection: 0.8 – 10 mm ² (AWG 18 – 7) for solid wire, 0.8 – 8 mm ² (AWG 18 – 8) for 7-core wire Bridge connection: 0.8 – 2.5 mm ² (AWG 18 – 13) for solid wire, 0.8 – 1.5 mm ² (AWG 18 – 15) for 7-core wire
Cable Connection	Screw terminal (steatite), can be bridge-connected
Finish	Enclosure: ABS resin, black (RAL 9011 equivalent), paint Punched net: Steel plate, black (RAL 9011 equivalent), paint Bracket: Stainless steel, black (RAL 9011 equivalent), powder coating
Dimensions	388 (W) × 310 (H) × 367 (D) mm (15.28" × 12.2" × 14.45")
Weight	7.6 kg (16.75 lb)
Option	Speaker mount bracket: SP-201 Pole band: YS-60B Speaker stand: ST-34B

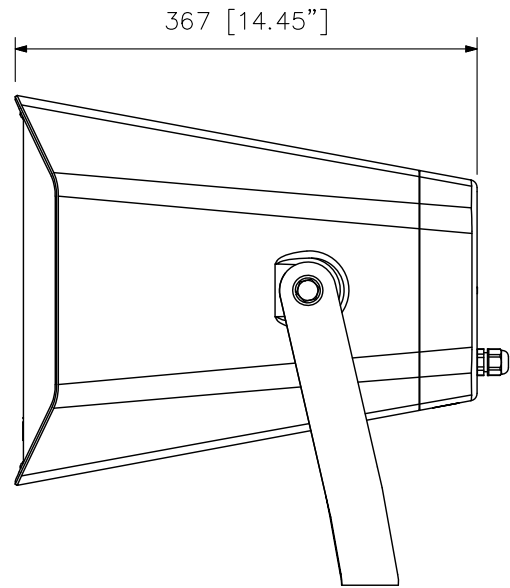
Note: Avoid installing the speaker in locations close to the seashore or in indoor swimming facilities that are not well ventilated. In such locations, the bracket may be vulnerable to corrosion, eventually allowing the speaker to fall resulting in personal injury.

TOA 2WAY COAXIAL HORN SPEAKER 60W CS-761BS-B

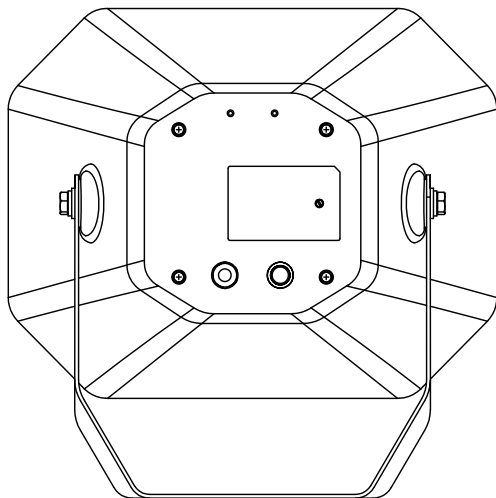
■ APPEARANCE



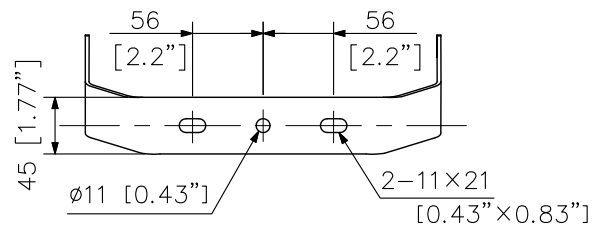
Front View



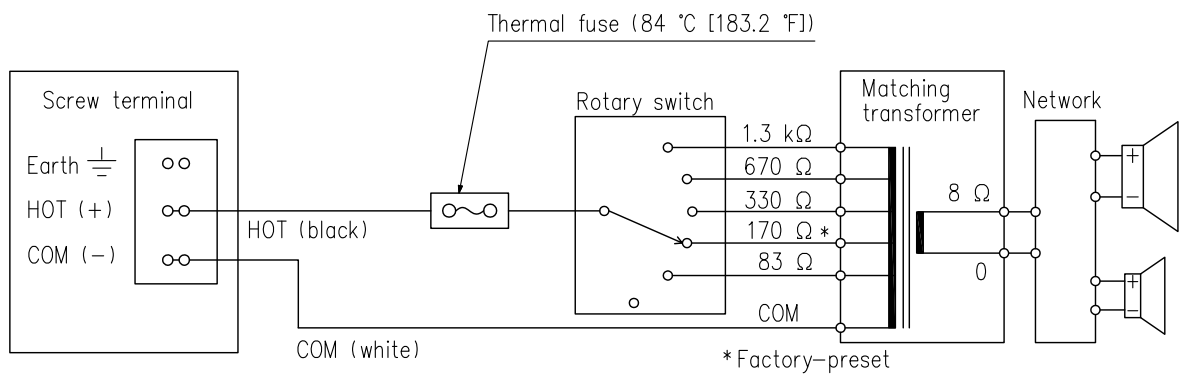
Side View



Rear View



Mounting bracket



Wiring Diagram

UNIT: mm SCALE: 1/6