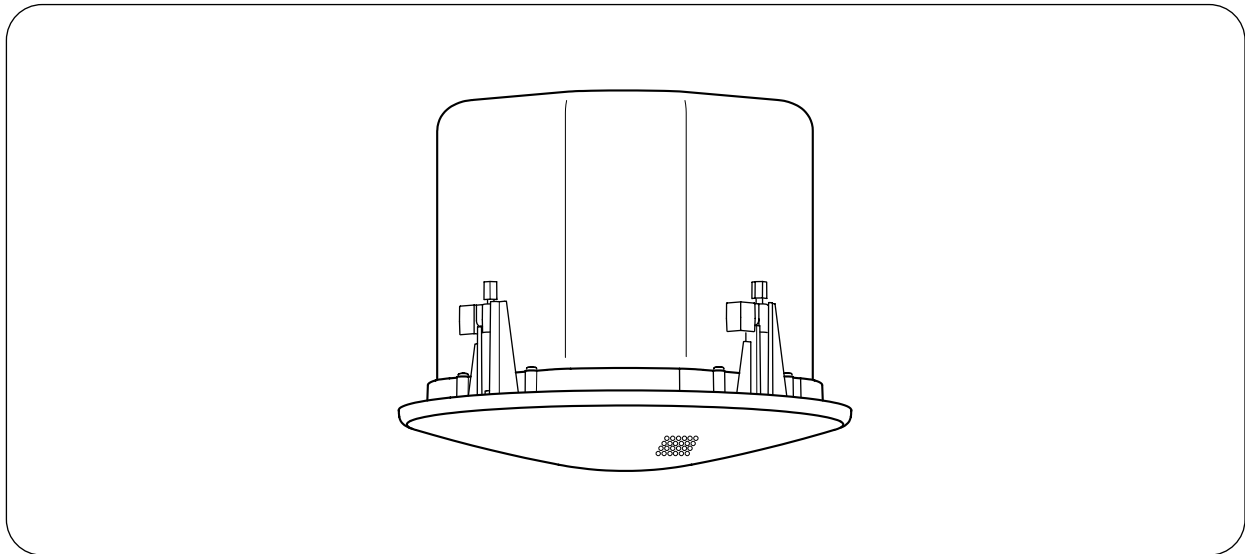


**CEILING SPEAKER SYSTEM**

**F-2852C**



**TABLE OF CONTENTS**

<b>1. SAFETY PRECAUTIONS</b> .....	2	<b>7. REPAINTING THE SPEAKER</b> .....	10
<b>2. GENERAL DESCRIPTION</b> .....	3	<b>8. ABOUT THE INPUT OVERLOAD PROTECTION CIRCUITRY</b> .....	10
<b>3. FEATURES</b> .....	3	<b>9. SPECIFICATIONS</b> .....	11
<b>4. NOMENCLATURE AND DIMENSIONS</b> ....	4	Accessories .....	11
<b>5. INSTALLATION</b> .....	5	Optional Components .....	11
<b>6. REMOVING THE SPEAKER FOR MAINTENANCE</b> .....	9		

Please follow the instructions in this manual to obtain the optimum results from this unit. We also recommend that you keep this manual handy for future reference.

# 1. SAFETY PRECAUTIONS

- Be sure to read the instructions in this section carefully before use.
- Make sure to observe the instructions in this manual as the conventions of safety symbols and messages regarded as very important precautions are included.
- We also recommend you keep this instruction manual handy for future reference.

## Safety Symbol and Message Conventions

Safety symbols and messages described below are used in this manual to prevent bodily injury and property damage which could result from mishandling. Before operating your product, read this manual first and understand the safety symbols and messages so you are thoroughly aware of the potential safety hazards.



### **WARNING**

Indicates a potentially hazardous situation which, if mishandled, could result in death or serious personal injury.



### **CAUTION**

Indicates a potentially hazardous situation which, if mishandled, could result in moderate or minor personal injury, and/or property damage.



### **WARNING**

- Leave the installation to your TOA dealer because the installation requires expert knowledge. Improper installation may cause the unit to fall, resulting in personal injury and/or property damage.
- Install the unit in a location that can structurally support the weight of the unit and its mounting hardware. Doing otherwise may result in the unit falling down and causing personal injury and/or property damage.
- Do not use other methods than specified to mount the unit. Extreme force is applied to the unit and the unit could fall off, possibly resulting in personal injuries.
- Attach the safety wire to the unit. If not attached, the unit could fall off, resulting in personal injury.
- Tighten each screw securely. Ensure that the unit has no loose joints after installation to prevent accidents that could result in personal injury.
- Do not hold the tweeter as a handle to carry the unit. If the tweeter breaks off, the unit falls off, resulting in possible personal injury.

- Use the specified mounting hardware in combination. Doing otherwise may cause the unit or component to fall off, resulting in personal injury.

- Should the following irregularity be found during use, immediately stop operating the unit and contact your nearest TOA dealer. Further attempt to use under this condition may cause fire or electric shock.

- If you detect smoke or a strange smell coming from the unit
- If no tone sounds



### **CAUTION**

- Avoid installing the unit in humid or dusty locations, in locations exposed to the direct sunlight, near the heaters, or in locations generating sooty smoke or steam as doing otherwise may result in fire or electric shock.
- Do not operate the unit for an extended period of time with the sound distorting. This is an indication of a malfunction, which in turn can cause heat to generate and result in a fire.
- Avoid touching the unit's sharp metal edge to prevent injury.

## 2. GENERAL DESCRIPTION

The F-2852C is a 2-way, flush-mounted ceiling speaker that offers a wide frequency range and high-quality sound output.

Use of its supplied and optional mounting hardware permits versatile mounting to match a wide range of applications and installation locations.

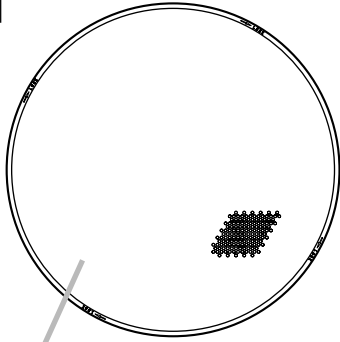
## 3. FEATURES

- Two-way, bass-reflex speaker system designed to provide a wide frequency range and high power handling capability.
- Ideal for locations that have high ceilings or require true-to-life sounds.
- Uniform sound output levels are achievable not only in the position directly under the speaker, but also over a wide radius. (Coverage angle is approximately 110°.)
- Because the speaker is provided with both low- and high-impedance operating capability, it can be used in many different applications. Front panel-mounted input selector switch permits easy verification and change of current impedance settings, even after installation.
- Easy installation. Can be quickly and accurately mounted to ceilings and walls.
- Rotating front grille can be installed quickly and conveniently.
- Attractive exterior design specially created by an interior designer blends naturally with any architectural space, enhancing the immediate area's sense of harmony.
- Optional mounting hardware permits installation in weak ceiling panels.

# 4. NOMENCLATURE AND DIMENSIONS

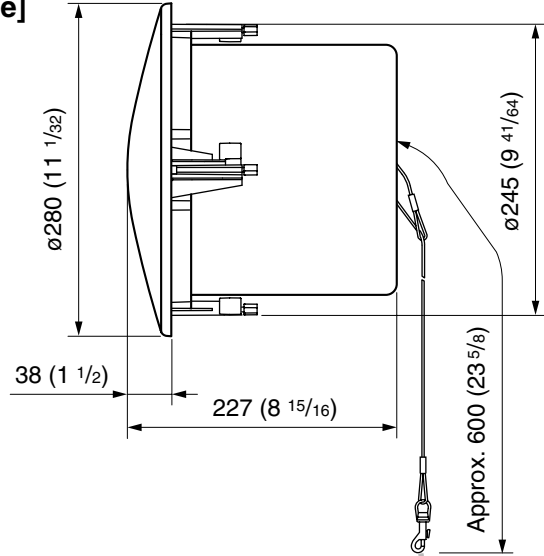
Unit: mm (inches)

[Front]



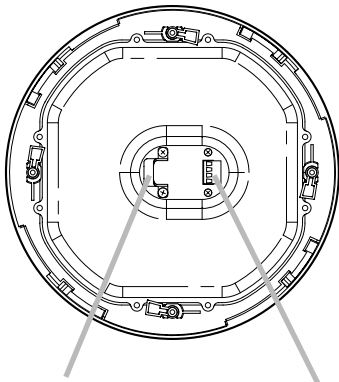
Front grille (accessory)

[Side]



Safety wire (accessory)

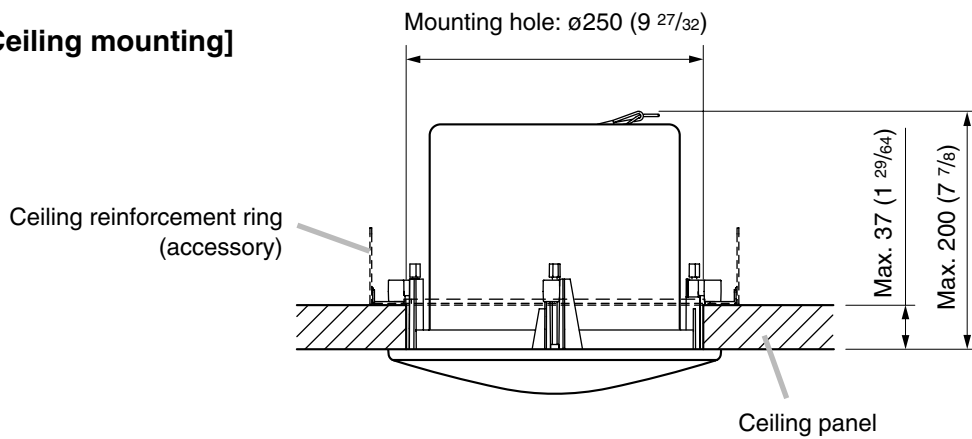
[Rear]



Safety wire hook

Detachable input connector

[Ceiling mounting]



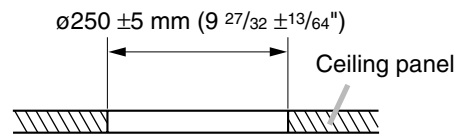
# 5. INSTALLATION

The F-2852C ceiling speaker can be mounted in 3 different configurations:

- **Direct mounting to a ceiling panel**  
Use the supplied ceiling reinforcement ring.
- **Mounting to a ceiling frame**  
Use the supplied ceiling reinforcement ring in conjunction with the optional HY-TB1 Tile Bar Bridge.
- **Mounting to an anchor bolt**  
Use the supplied ceiling reinforcement ring in conjunction with the optional HY-AH1 Anchor Hanging Bracket.

Mount the speaker using the most appropriate method for the ceiling panel or installation location.

- Step 1.** Cut a  $\varnothing 250$  mm ( $9 \frac{27}{32}$ " ) hole in the ceiling.  
Use the supplied paper pattern to position and trace the hole.



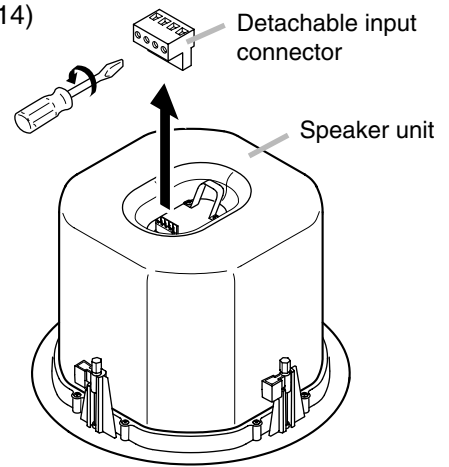
- Step 2.** Connect the speaker cable to the detachable input connector.

**Tip**

The following matching cable types are recommended:

- Solid copper wire:  $\varnothing 0.5 - \varnothing 1.6$  mm (equivalent to AWG 24 – 14)
- Stranded copper wire:  $0.2 - 2.5$  mm<sup>2</sup> (equivalent to AWG 24 – 14)

- 2-1.** Remove the detachable input connector from the speaker's wiring socket, and loosen the screw of the terminal to be used.

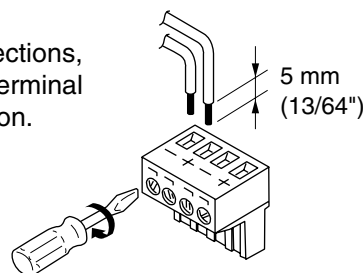


- 2-2.** Insert the stripped cable end into the terminal and tighten the terminal screw with a screwdriver.

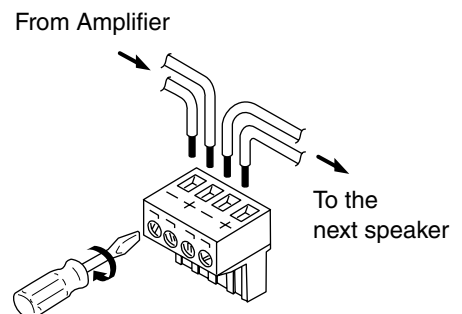
**[If not bridging]**

**Caution**

If not making bridge connections, be sure to tighten unused terminal screws to avoid their vibration.



**[If bridging]**

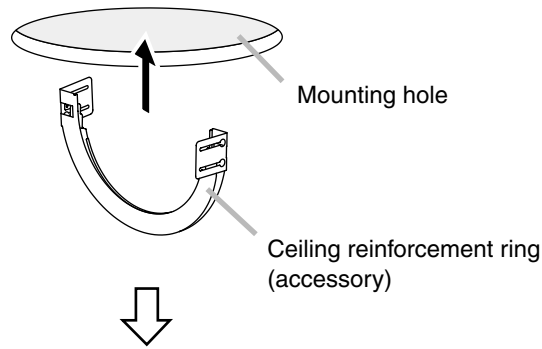


**Step 3.** Install mounting hardware on the ceiling.

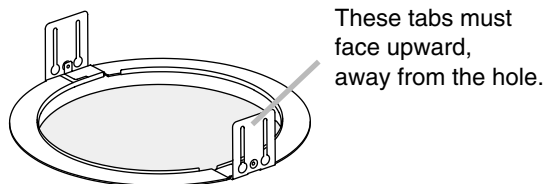
**3-1.** Direct mounting to a ceiling panel

Fold the supplied ceiling reinforcement ring in half\* and insert it through the mounting hole in the ceiling panel, then open it with its tabs facing up. Place the ring on the ceiling panel aligning it with the mounting hole.

\* The reinforcement ring is too large to be inserted into the mounting hole unless folded.



**Reinforcement ring placed on ceiling panel**



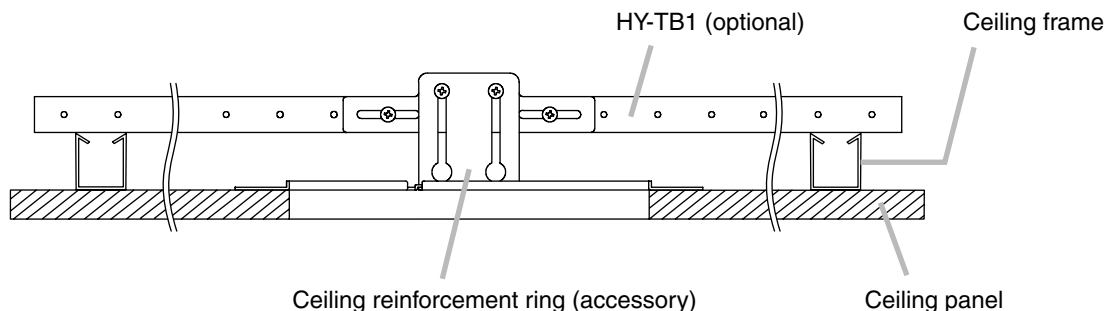
**3-2.** Mounting to a ceiling frame

Use the supplied ceiling reinforcement ring in conjunction with the optional HY-TB1 Tile Bar Bridge.

**Note**

Refer to the instruction manual included with the HY-TB1 for the correct ceiling mounting procedure.

**[Installed HY-TB1]**



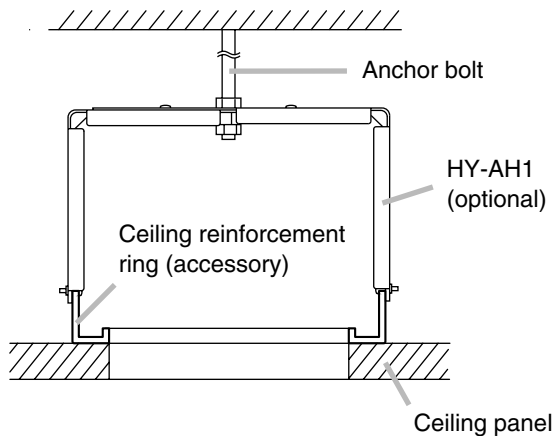
**3-3.** Mounting to an anchor bolt

Use the supplied ceiling reinforcement ring in conjunction with the optional HY-AH1 Anchor Hanging Bracket.

**Note**

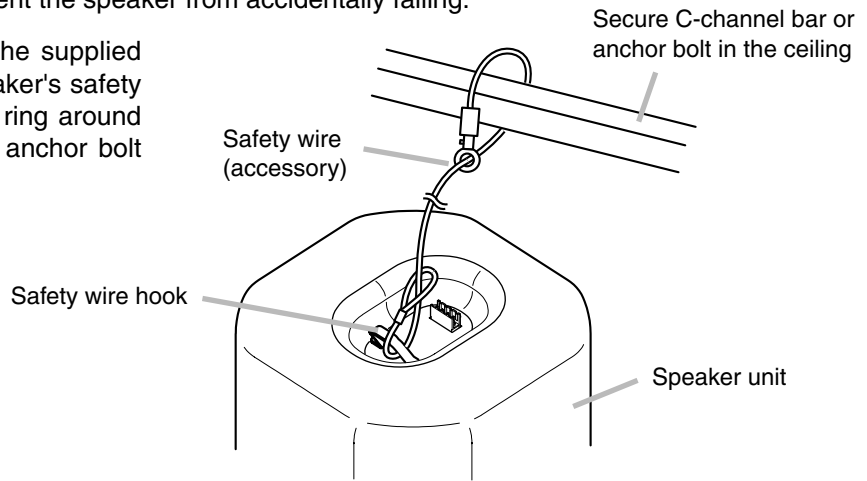
Refer to the instruction manual included with the HY-AH1 for the correct mounting procedure.

**[Installed HY-AH1]**

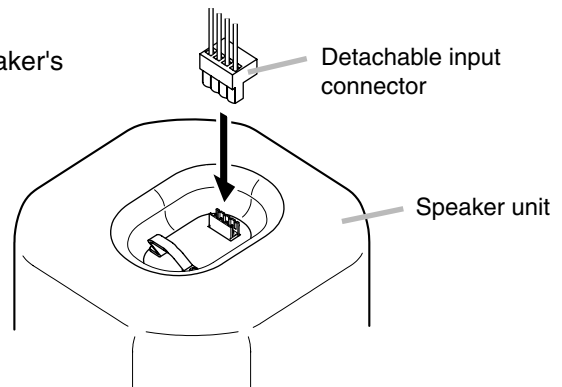


**Step 4.** Attach a safety wire to prevent the speaker from accidentally falling.

To attach, tie one end of the supplied safety wire around the speaker's safety wire hook, and tie its snap ring around a secure C-channel bar or anchor bolt in the ceiling.



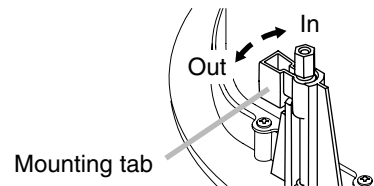
**Step 5.** Plug the detachable input connector into the speaker's wiring socket.



**Step 6.** Mount the speaker.

**Caution**

Before mounting, check to be sure that the speaker's 4 mounting tabs are turned inside the unit as shown in the figure. If turned outward, the speaker cannot be inserted through the mounting hole.



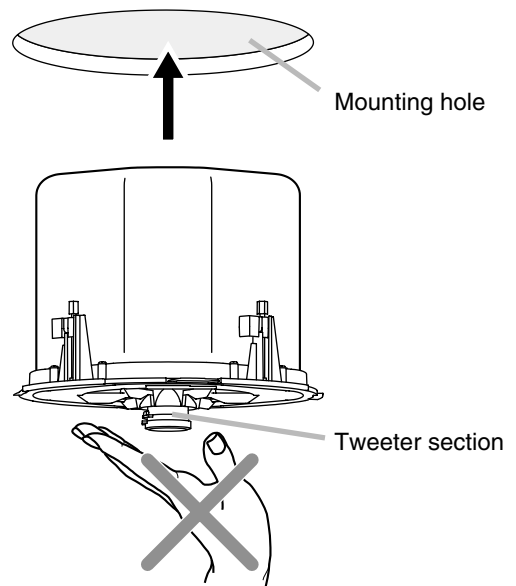
**6-1.** Insert the speaker through the mounting hole till it contacts the ceiling panel.

While doing so, avoid directly touching the speaker's diaphragm and tweeter.

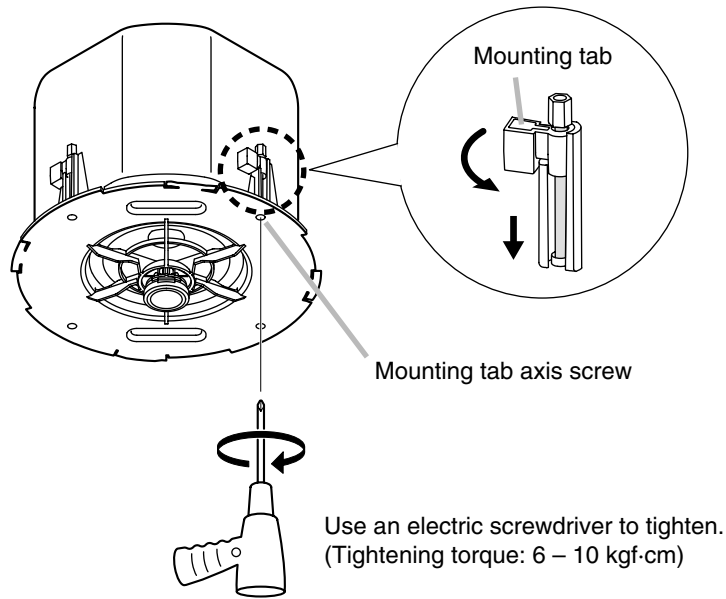
**! WARNING**

Never grab the tweeter section as a hand hold. The speaker could fall due to damage, resulting in possible personal injury.

The diagram shows the 'Tweeter section' of the speaker with a large 'X' over it, indicating that it should not be used as a hand hold.



**6-2.** Rotate and tighten the mounting tab axis screws (4 places) on the unit clockwise to their full stop in order to grip the ceiling panel with the mounting tabs.



**Step 7.** Set the input power.

Turn the input selector switch (on the unit's front) to set it to the desired input impedance.  
(Factory-preset to 170 Ω.)

**Important**

Never set this switch to low-impedance (8 Ω or 16 Ω) settings when using a high-impedance 25, 70, or 100 V line. Failure to follow this instruction could result in damage to the speaker or amplifier.

F-2852C

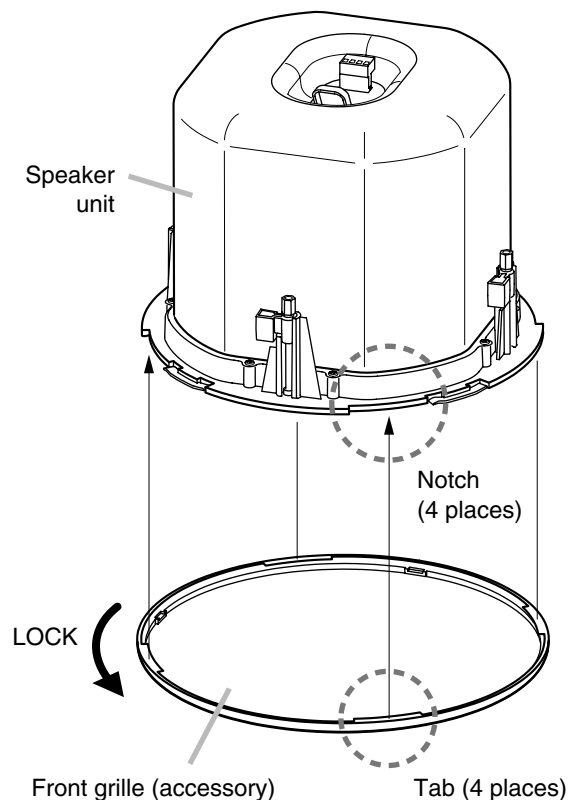
IMP.	100V LINE	70V LINE	25V LINE
8 Ω	3.3kΩ	3W	1.5W
16 Ω	670Ω	15W	7.5W
NC	330Ω	30W	15W
	170Ω	60W	30W
	83Ω	—	60W
			7.5W

**Step 8.** Attach the front grille.

Align the tabs (4 places) on the back side of the grille with the corresponding notches in the unit, then rotate the grille to full stop in the direction indicated by the "LOCK" arrow.

**Tip**

The front grille employs a double-locking system that clicks into place once partway through rotation, but only locks into position at its point of full rotation. Always be sure to rotate the grille to its full stop.





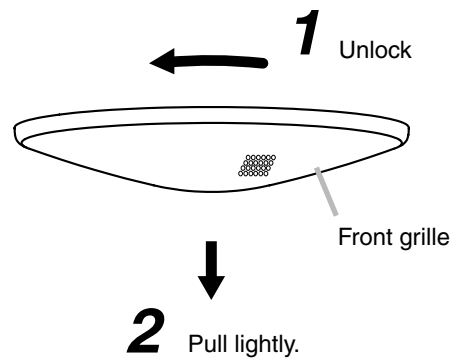
## 6. REMOVING THE SPEAKER FOR MAINTENANCE

### 6.1. Detaching the Front Grille

Turn the front grille counterclockwise to full stop, then lightly pull it downward.

#### Tip

The front grille employs a double-locking system. If the grille cannot be detached when lightly pulled downward, it likely has not yet been fully rotated back to the detachment position. In such cases, take care to rotate the grill fully counterclockwise in order to release the lock.

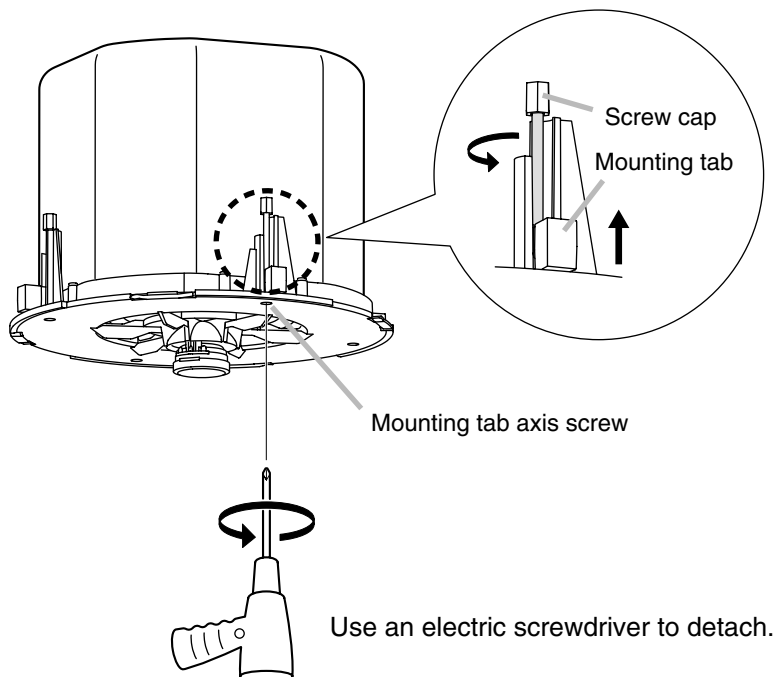


### 6.2. Removing the Speaker

Rotate the 4 mounting tab axis screws counterclockwise. The mounting tabs rise as they turn, allowing the speaker to be removed.

#### Caution

When loosening the mounting tab axis screws, support the speaker by hand to prevent it from falling.



#### Caution

Be sure to set the screwdriver's torque for under 4 kgf-cm. Failure to do so may cause the Screw cap and the Mounting tab to fall off on the rear of ceiling panel.

## 7. REPAINTING THE SPEAKER

Follow the procedure below when repainting the front grille:

**Step 1.** Clean the front grille before painting.  
Wipe with a soft cloth dampened in a detergent.

**Caution**

Do not use thinner or other volatile liquids to clean the grille.

**Step 2.** Spray on a uniform, thin coat of paint.

**Cautions**

- Avoid painting with a roller or brush, as the grille mesh holes could become clogged with paint.
- Use appropriate spray paints for the front grille (grille and frame) materials.  
Grille: Rolled steel plate  
Frame: Fire-resistant ABS resin (acrylic paint)
- Be sure to follow the directions indicated on the paint when painting.

**Step 3.** After the paint has dried, apply another light coat.

**Caution**

Repeating Step 2, apply two or more light coats of paint.

Application of one thick coat of paint all at once may cause drips or unevenness to show up in the painted finish, or clog the mesh holes.

## 8. ABOUT THE INPUT OVERLOAD PROTECTION CIRCUITRY

The F-2852C features internal input overload protection circuitry. If an extremely high input level is fed to the unit, the protection circuitry automatically cuts off the signal to the speaker element.

A drastic reduction in sound volume indicates that the protection circuitry has been enabled.

In such cases, simply reduce the amplifier volume. The protection circuitry will automatically reset in approximately 10 seconds. After reset, try to maintain the volume at a level slightly lower than before.

**Caution**

This protection circuitry does not completely protect the unit against extremely high input power levels. Depending on the type or duration of excessive power input, the protection circuitry might not be enabled, resulting in damage to the speaker element. Also, if the excessive power input continues for a long period of time, the circuitry may not be capable of resetting to its original condition.

Use the system with care so that the speakers are not exposed to excessive power input.

## 9. SPECIFICATIONS

Enclosure	Bass reflex type
Rated Input	60 W (High Impedance)
Power Handling Capacity	Continuous pink noise: 90 W (8 Ω), 60 W (16 Ω), Continuous program: 180 W (8 Ω), 120 W (16 Ω)
Impedance	100 V line: 170 Ω (60 W), 330 Ω (30 W), 670 Ω (15 W), 3.3 kΩ (3 W) 70 V line: 83 Ω (60 W), 170 Ω (30 W), 330 Ω (15 W), 670 Ω (7.5 W), 3.3 kΩ (1.5 W) 25 V line: 83 Ω (7.5 W), 170 Ω (3.7 W), 330 Ω (1.9 W), 670 Ω (0.9 W), 3.3 kΩ (0.2 W) 16 Ω, 8 Ω
Sound Pressure Level	91 dB (1 W, 1 m)
Frequency Response	60 – 20,000 Hz (–10 dB), 45 – 20,000 Hz (–20 dB) at installation in 1/2 free sound field (Measured by installing the unit in the center of a ceiling.)
Speaker Component	High frequency: Dome-type, Low frequency: 16 cm (6 1/2") cone-type
Mounting Hole	ø250 mm (9 27/32") Maximum ceiling thickness: 37 mm (1 29/64")
Input Terminal	Removable locking connector with screw-down terminals (2 input terminals and 2 bridge terminals)
Usable Cable	Solid copper wire: ø0.5 – ø1.6 mm (equivalent to AWG 24 – 14) Stranded copper wire: 0.2 – 2.5 mm <sup>2</sup> (equivalent AWG 24 – 14)
Finish	Enclosure: Steel plate, plating Baffle: Fire-resistant ABS resin (resin material grade: UL-94 V-0 or its equivalent), black Rim: Fire-resistant ABS resin (resin material grade: UL-94 V-0 or its equivalent), white, paint Punched net: Steel plate, white, paint
Dimensions	ø280 mm (11 1/32") x Depth 227 mm (8 15/16")
Weight	5.1 kg (including mounting accessories)

**Note:** The design and specifications are subject to change without notice for improvement.

### • Accessories

Front grille .....	1
Ceiling reinforcement ring .....	1
Safety wire (approx. 60 cm or 23 5/8") .....	1
Paper pattern .....	1

### • Optional Components

HY-TB1 (Tile Bar Bridge):	Place this bridge on the ceiling frame when mounting the speaker unit to a weak suspended ceiling.
HY-AH1 (Anchor Hanging Bracket):	Attach this bracket to an anchor bolt when mounting the speaker unit to a weak ceiling.

